

**RIGHT OF WAY SURVEY**  
**A PORTION OF BUTTER CREEK ROAD**  
 Situated in:

T.2N., R.27E., W.M., Umatilla County, Oregon:  
 NW1/4, SW 1/4 & SE 1/4 Sec. 34

T.2N., R.27E., W.M., Morrow County, Oregon:  
 SE 1/4 Sec. 28  
 NE 1/4 Sec. 33

T.1N., R.27E., W.M., Morrow County, Oregon:  
 NE 1/4 Sec. 3  
 NE1/4 Sec. 10  
 February 30, 2016

**NARRATIVE**

This survey was performed at the request of the Morrow County Public Works Department to locate and monument the right of way of Butter Creek Road, commencing near its intersection with Highway 207 in the SE 1/4 of Section 28, T. 2N., R.27E. W.M., thence southerly to its intersection with the Little Butter Creek Road in the NE1/4 of Section 10, T. 1N., R.27E., W.M.

In order to locate and monument the right of way, we recovered several Public Land Corner monuments as shown. The Approximate Section Lines are shown based on the recovered monuments and surveys listed in the "References".

The existing traveled roadway centerline was field tied. We also recovered monuments from an ODOT survey, Umatilla Map of Survey #14-155-B, filed in 2014.

Umatilla County Records, Box E, Titled "Butter Creek Road, Jarmon ~ Pine City Section", by H. Tamblin, County Engineer, indicates some type of survey was performed along this section of the road. This drawing does not indicate whether this is an existing road survey or a proposed realignment.

Engineer's stations as shown herein are based the recovered monuments from the 2014 ODOT survey, at Engineer's station 58+21.10. In general, the tangent delta angles from Tamblin's survey were held. Curves and tangent lengths are modified to fit the existing geometry.

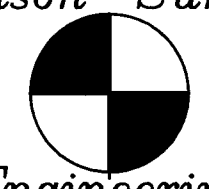
The right of way is monumented as shown.

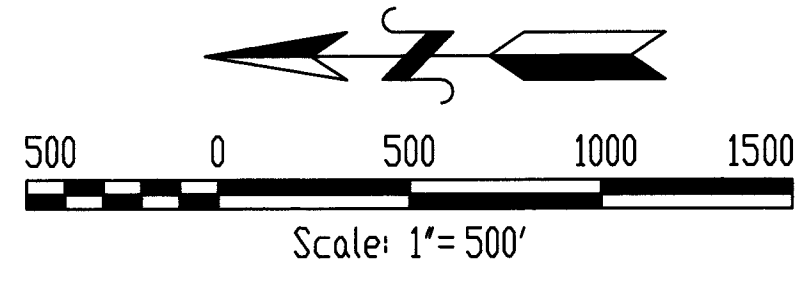
This survey was performed using a Topcon Hyper II GPS System.

**LEGEND**

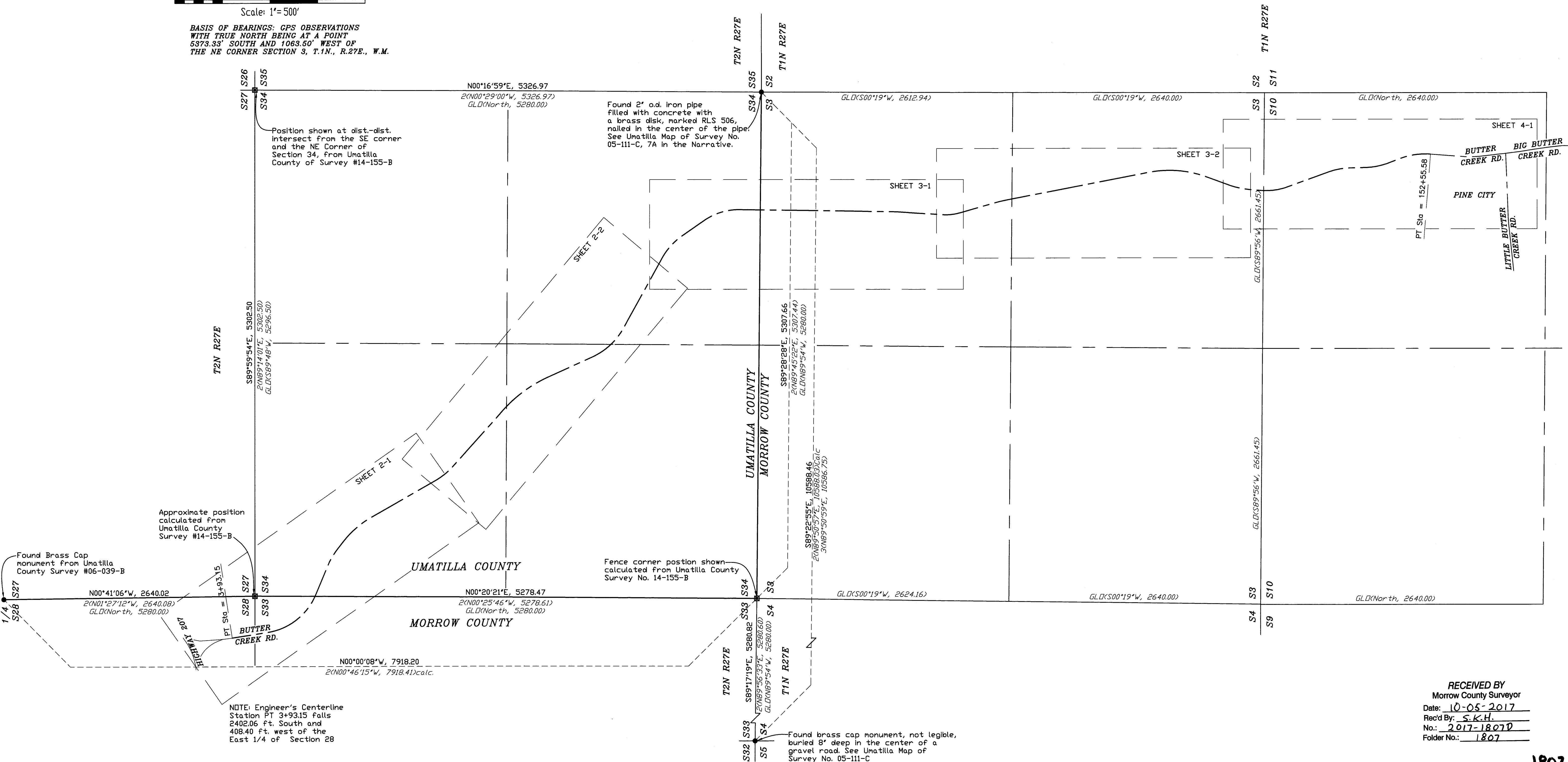
- GLD<BEARING/DIST> BEARING/DISTANCE RETURNED BY EBONEZER UNDER CONTRACT NUMBER 93, DATED SEPTEMBER 11, 1860.
- 1<BEARING/DIST/STA> BEARING/DISTANCE OR CENTERLINE DATA RETURNED BY H. TAMBLYN, ON A SURVEY TITLED "BUTTER CREEK ROAD, JARMON - PINE CITY SECTION" FOR THE MORROW COUNTY HIGHWAY DEPT. NO DATE INDICATED.
- 2<BEARING/DIST/STA> BEARING/DISTANCE OR CENTERLINE DATA RETURNED BY BRET ELTHORP ON UMATILLA COUNTY MAP OF SURVEY #14-155-B, FILED 12/2014
- 3<BEARING/DIST> BEARING/DISTANCE RETURNED BY STEPHEN HADDOCK ON UMATILLA COUNTY MAP OF SURVEY #05-111-C, FILED 5/2005.
- FOUND MONUMENT OF RECORD. SEE NOTE AT SYMBOL.
- ☒ CALCULATED POSITION. NO MONUMENT FOUND OR SET.
- — — — — RIGHT OF WAY CENTERLINE
- - - - - SHEET INDEX LINES

REGISTERED PROFESSIONAL LAND SURVEYOR  
  
 OREGON  
 JULY 13, 1999  
 KENNETH H. DELANO JR.  
 49865  
 RENEWS: 1/1/2018

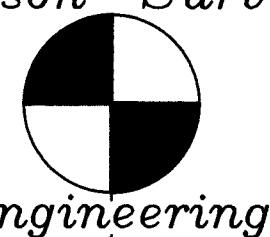
Ferguson Surveying  
  
 Engineering  
 P.O. BOX 519, 210 E. MAIN  
 MT. VERNON, OR 97385  
 PHONE (541)932-4520  
 FAX (541)932-4430  
 EMAIL djse@oretelco.net



**BASIS OF BEARINGS: GPS OBSERVATIONS WITH TRUE NORTH BEING AT A POINT 5373.33' SOUTH AND 1063.50' WEST OF THE NE CORNER SECTION 3, T.1N., R.27E., W.M.**

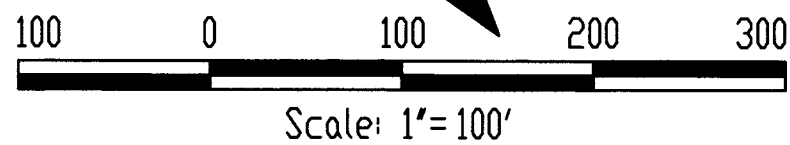


RECEIVED BY  
 Morrow County Surveyor  
 Date: 10-05-2017  
 Rec'd By: S.K.H.  
 No.: 2017-1807D  
 Folder No.: 1807



Engineering

P.O. BOX 519, 210 E. MAIN  
MT. VERNON, OR 97865  
PHONE (541)932-4520  
FAX (541)932-4430  
EMAIL dfse@oretelco.net



RIGHT OF WAY SURVEY  
A PORTION OF BUTTER CREEK ROAD  
Sheet 2 of 4

1801

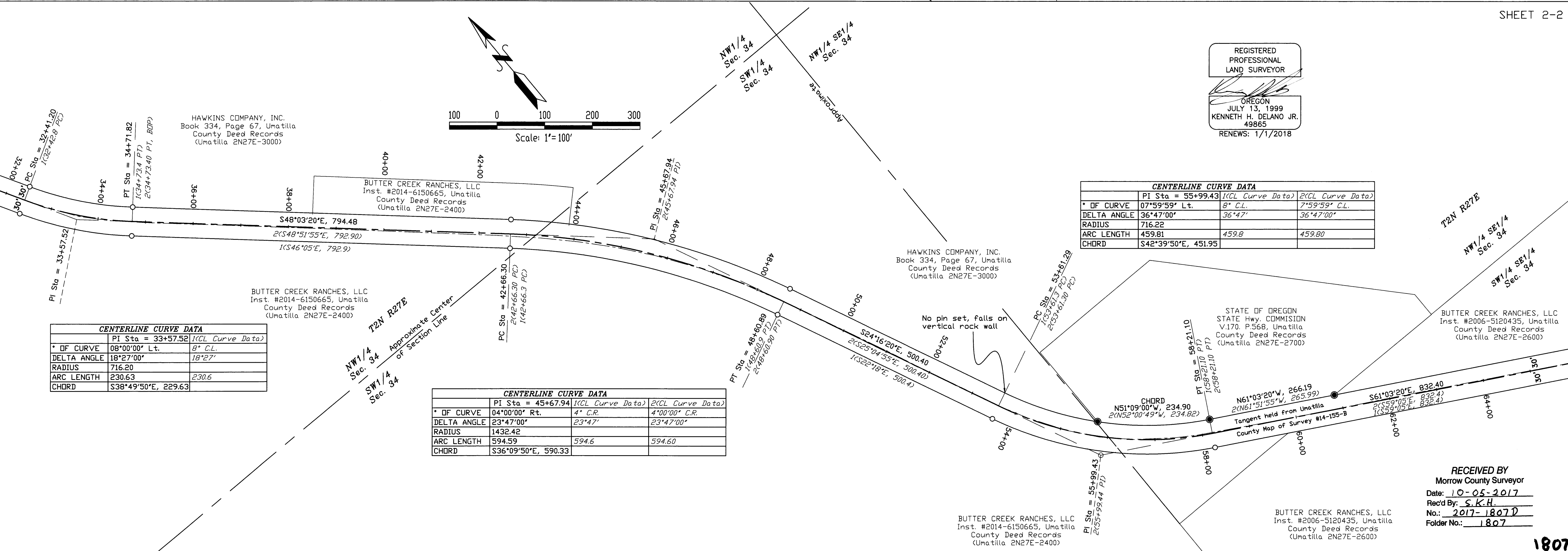
CENTERLINE CURVE DATA		
PI Sta = 2+92.96	K(CL Curve Data)	
Δ OF CURVE 03°00'00" Lt.	3° C.L.	
DELTA ANGLE 06°01'00"	6°01'	
RADIUS 1909.86		
ARC LENGTH 200.56	200.8	
CHORD S05°49'50"E, 200.46		

CENTERLINE CURVE DATA		
PI Sta = 11+36.98	K(CL Curve Data)	
Δ OF CURVE 08°45'00" Lt.	9° C.L.	
DELTA ANGLE 58°30'00"	58°30'	
RADIUS 654.81		
ARC LENGTH 668.57	650.0	
CHORD S38°05'20"E, 639.91		

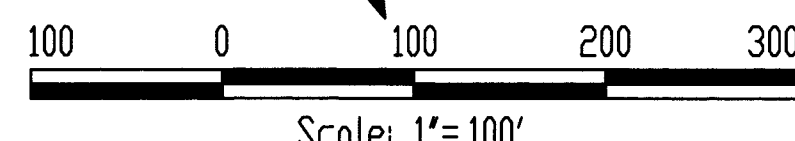
CENTERLINE CURVE DATA		
PI Sta = 18+64.15	K(CL Curve Data)	
Δ OF CURVE 07°00'00" Rt.	8° C.R.	
DELTA ANGLE 15°11'00"	15°11'	
RADIUS 818.51		
ARC LENGTH 216.90	188.7	
CHORD S59°44'50"E, 216.27		

CENTERLINE CURVE DATA		
PI Sta = 22+64.61	K(CL Curve Data)	
Δ OF CURVE 05°45'00" Rt.	8° C.R.	
DELTA ANGLE 22°33'00"	22°33'	
RADIUS 996.45		
ARC LENGTH 392.17	281.9	
CHORD S40°52'50"E, 389.65		

- LEGEND**
- 1(BEARING/DIST/STA) BEARING/DISTANCE OR STATION INFORMATION RETURNED BY H. TAMBLYN, ON A SURVEY TITLED "BUTTER CREEK ROAD, JARMON - PINE CITY SECTION" FOR THE MORROW COUNTY HIGHWAY DEPT. NO DATE INDICATED.
  - 2(BEARING/DIST/STA) BEARING/DISTANCE OR STATION INFORMATION RETURNED BY BRET ELTHORP ON UMATILLA COUNTY MAP OF SURVEY #14-155-B, FILED 12/2014
  - 3(BEARING/DIST) BEARING/DISTANCE RETURNED BY STEPHEN HADDOCK ON UMATILLA COUNTY MAP OF SURVEY #05-111-C, FILED 5/2005.
  - FOUND MONUMENT OF RECORD. SEE NOTE AT SYMBOL.
  - FOUND PIN FROM UMATILLA COUNTY MAP OF SURVEY #14-155-B.
  - SET 5/8"x30" REBAR PIN WITH A 2" DIA. ALUMINUM CAP STAMPED WITH THE CENTERLINE OFFSET, ENGINEERS STATION, 2015, PLS 49865. SET POST WITH PADDLE MARKED "MCROW", UNLESS OTHERWISE NOTED.
  - RIGHT OF WAY CENTERLINE
  - - - CENTERLINE TANGENTS
  - - - TRAVELED ROADWAY CENTERLINE



Engineering



REGISTERED PROFESSIONAL LAND SURVEYOR  
OREGON  
JULY 13, 1999  
KENNETH H. DELANO JR.  
49865  
RENEWS: 1/1/2018

1807

CENTERLINE CURVE DATA		
PI Sta = 33+57.52	K(CL Curve Data)	
Δ OF CURVE 08°00'00" Lt.	8° C.L.	
DELTA ANGLE 18°27'00"	18°27'	
RADIUS 716.20		
ARC LENGTH 230.63	230.6	
CHORD S38°49'50"E, 229.63		

CENTERLINE CURVE DATA			
PI Sta = 45+67.94	K(CL Curve Data)		2(CL Curve Data)
Δ OF CURVE 04°00'00" Rt.	4° C.R.		4°00'00" C.R.
DELTA ANGLE 23°47'00"	23°47'		23°47'00"
RADIUS 1432.42			
ARC LENGTH 594.59	594.6		594.60
CHORD S36°09'50"E, 590.33			

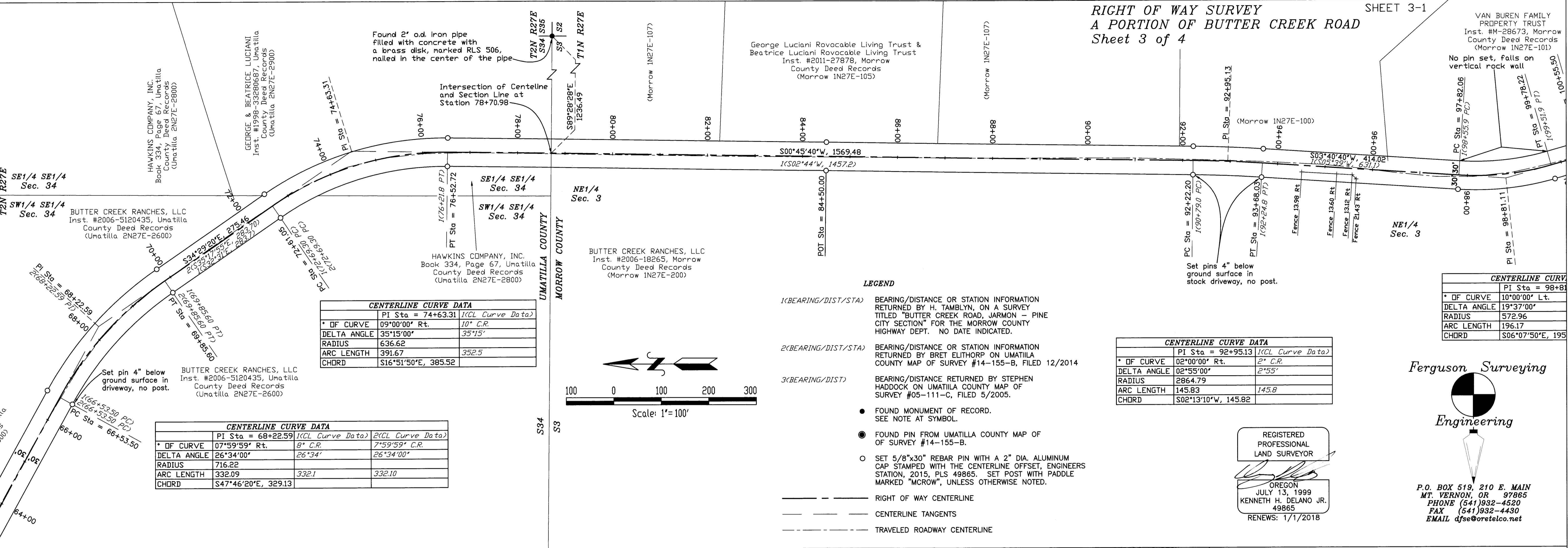
CENTERLINE CURVE DATA			
PI Sta = 55+99.43	K(CL Curve Data)		2(CL Curve Data)
Δ OF CURVE 07°59'59" Lt.	8° C.L.		7°59'59" C.L.
DELTA ANGLE 36°47'00"	36°47'		36°47'00"
RADIUS 716.22	459.8		459.80
ARC LENGTH 459.81	459.8		459.80
CHORD S42°39'50"E, 451.95			

RECEIVED BY  
Morrow County Surveyor  
Date: 10-05-2017  
Rec'd By: S.K.H.  
No.: 2017-1807D  
Folder No.: 1807

RIGHT OF WAY SURVEY  
A PORTION OF BUTTER CREEK ROAD  
Sheet 3 of 4

SHEET 3-1

1807

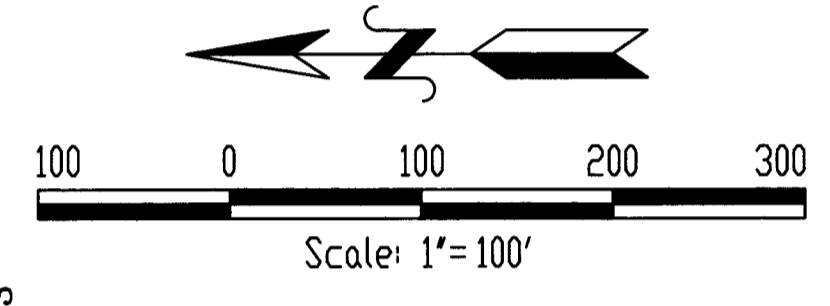


CENTERLINE CURVE DATA	
PI Sta = 74+63.31	(ICL Curve Data)
* OF CURVE	09°00'00" Rt. 10° C.R.
DELTA ANGLE	35°15'00" 35°15'
RADIUS	636.62
ARC LENGTH	391.67
CHORD	S16°51'50"E, 385.52

CENTERLINE CURVE DATA	
PI Sta = 68+22.59	(ICL Curve Data)
* OF CURVE	07°59'59" Rt. 8° C.R.
DELTA ANGLE	26°34'00" 26°34'
RADIUS	716.22
ARC LENGTH	332.09
CHORD	S47°46'20"E, 329.13

CENTERLINE CURVE DATA	
PI Sta = 92+95.13	(ICL Curve Data)
* OF CURVE	02°00'00" Rt. 2° C.R.
DELTA ANGLE	02°55'00" 2°55'
RADIUS	2864.79
ARC LENGTH	145.83
CHORD	S02°13'10"W, 145.82

CENTERLINE CURVE DATA	
PI Sta = 98+81.11	(ICL Curve Data)
* OF CURVE	10°00'00" Lt. 10° C.L.
DELTA ANGLE	19°37'00" 19°37'
RADIUS	572.96
ARC LENGTH	196.17
CHORD	S06°07'50"E, 195.50



LEGEND

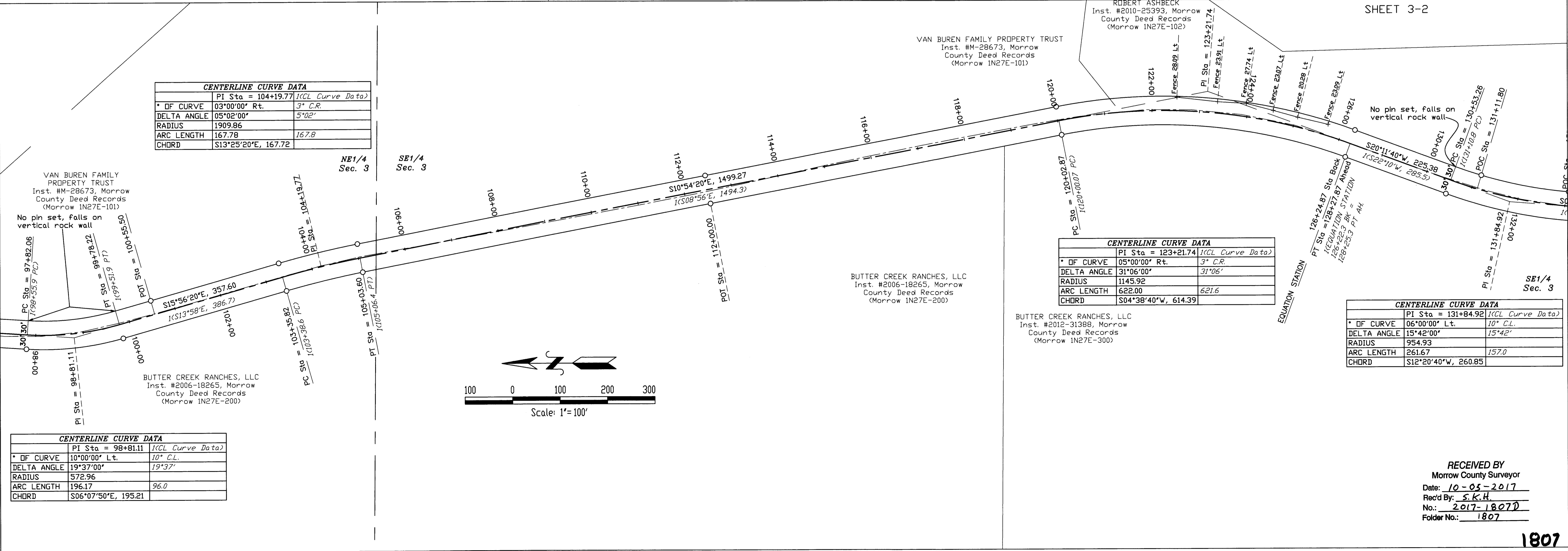
- 1(BEARING/DIST/STA) BEARING/DISTANCE OR STATION INFORMATION RETURNED BY H. TAMBLYN, ON A SURVEY TITLED "BUTTER CREEK ROAD, JARMON - PINE CITY SECTION" FOR THE MORROW COUNTY HIGHWAY DEPT. NO DATE INDICATED.
- 2(BEARING/DIST/STA) BEARING/DISTANCE OR STATION INFORMATION RETURNED BY BRET ELITHORP ON UMATILLA COUNTY MAP OF SURVEY #14-155-B, FILED 12/2014
- 3(BEARING/DIST) BEARING/DISTANCE RETURNED BY STEPHEN HADDOCK ON UMATILLA COUNTY MAP OF SURVEY #05-111-C, FILED 5/2005.
- FOUND MONUMENT OF RECORD. SEE NOTE AT SYMBOL.
- FOUND PIN FROM UMATILLA COUNTY MAP OF SURVEY #14-155-B.
- SET 5/8"x30" REBAR PIN WITH A 2" DIA. ALUMINUM CAP STAMPED WITH THE CENTERLINE OFFSET, ENGINEERS STATION, 2015, PLS 49865. SET POST WITH PADDLE MARKED "MORROW", UNLESS OTHERWISE NOTED.
- RIGHT OF WAY CENTERLINE
- CENTERLINE TANGENTS
- TRAVELED ROADWAY CENTERLINE

REGISTERED PROFESSIONAL LAND SURVEYOR  
*[Signature]*  
OREGON  
JULY 13, 1999  
KENNETH H. DELANO JR.  
49865  
RENEWS: 1/1/2018

Ferguson Surveying  
Engineering

P.O. BOX 519, 210 E. MAIN  
MT. VERNON, OR 97865  
PHONE (541) 932-4520  
FAX (541) 932-4430  
EMAIL dfse@oretelco.net

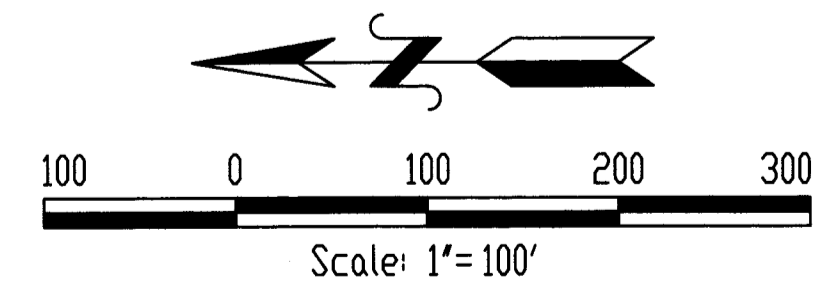
SHEET 3-2



CENTERLINE CURVE DATA	
PI Sta = 104+19.77	(ICL Curve Data)
* OF CURVE	03°00'00" Rt. 3° C.R.
DELTA ANGLE	05°02'00" 5°02'
RADIUS	1909.86
ARC LENGTH	167.78
CHORD	S13°25'20"E, 167.72

CENTERLINE CURVE DATA	
PI Sta = 123+21.74	(ICL Curve Data)
* OF CURVE	05°00'00" Rt. 3° C.R.
DELTA ANGLE	31°06'00" 31°06'
RADIUS	1145.92
ARC LENGTH	622.00
CHORD	S04°38'40"W, 614.39

CENTERLINE CURVE DATA	
PI Sta = 131+84.92	(ICL Curve Data)
* OF CURVE	06°00'00" Lt. 10° C.L.
DELTA ANGLE	15°42'00" 15°42'
RADIUS	954.93
ARC LENGTH	261.67
CHORD	S12°20'40"W, 260.85



RECEIVED BY  
Morrow County Surveyor  
Date: 10-05-2017  
Rec'd By: S.K.H.  
No.: 2017-1807D  
Folder No.: 1807

1807

RIGHT OF WAY SURVEY  
A PORTION OF BUTTER CREEK ROAD  
Sheet 4 of 4

RIGHT OF WAY SURVEY  
A PORTION OF BUTTER CREEK ROAD  
Sheet 4 of 4

SHEET 4-1

Ferguson Surveying  
Engineering

P.O. BOX 519, 210 E. MAIN  
MT. VERNON, OR 97865  
PHONE (541) 932-4520  
FAX (541) 932-4430  
EMAIL dfse@oretelco.net

CENTERLINE CURVE DATA	
PI Sta = 142+74.68	(KCL Curve Data)
* OF CURVE	08°00'00" Rt. 10° C.L.
DELTA ANGLE	18°30'00" 18°30'
RADIUS	716.20
ARC LENGTH	231.25
CHORD	S10°40'20"E, 230.25

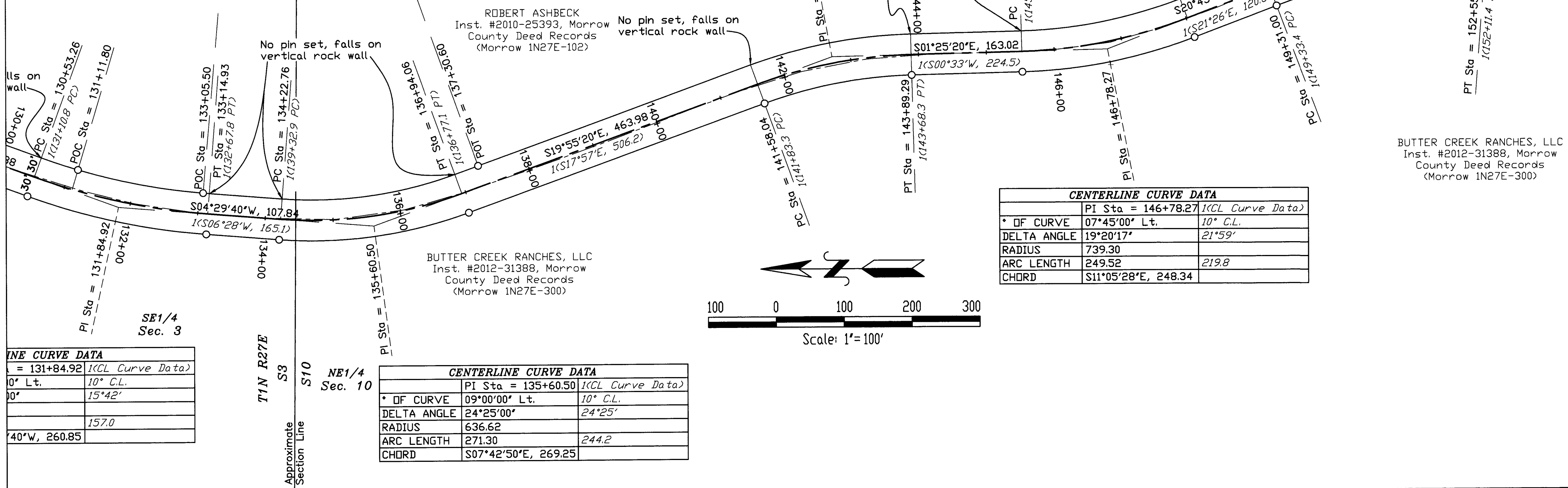
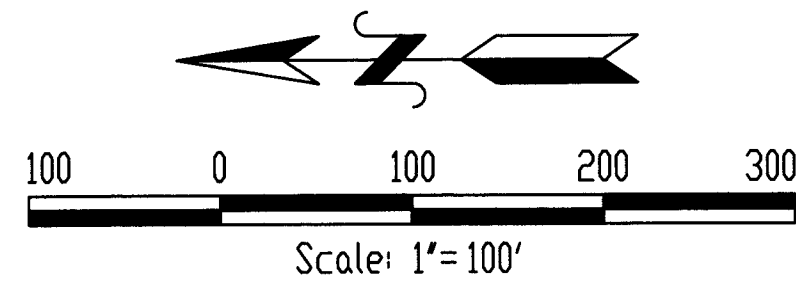
CENTERLINE CURVE DATA	
PI Sta = 150+95.95	(KCL Curve Data)
* OF CURVE	07°45'00" Rt. 10° C.L.
DELTA ANGLE	25°09'17" 27°48'
RADIUS	739.30
ARC LENGTH	324.58
CHORD	S08°10'58"E, 321.98

CENTERLINE CURVE DATA	
PI Sta = 146+78.27	(KCL Curve Data)
* OF CURVE	07°45'00" Lt. 10° C.L.
DELTA ANGLE	19°20'17" 21°59'
RADIUS	739.30
ARC LENGTH	249.52
CHORD	S11°05'28"E, 248.34

CENTERLINE CURVE DATA	
PI Sta = 135+60.50	(KCL Curve Data)
* OF CURVE	09°00'00" Lt. 10° C.L.
DELTA ANGLE	24°25'00" 24°25'
RADIUS	636.62
ARC LENGTH	271.30
CHORD	S07°42'50"E, 269.25

NE CURVE DATA	
PI Sta = 131+84.92	(KCL Curve Data)
* OF CURVE	10° Lt. 10° C.L.
DELTA ANGLE	15°42'
RADIUS	157.0
ARC LENGTH	40°W, 260.85

- LEGEND**
- 1(BEARING/DIST/STA) BEARING/DISTANCE OR STATION INFORMATION RETURNED BY H. TAMBLYN, ON A SURVEY TITLED "BUTTER CREEK ROAD, JARMON - PINE CITY SECTION" FOR THE MORROW COUNTY HIGHWAY DEPT. NO DATE INDICATED.
  - 2(BEARING/DIST/STA) BEARING/DISTANCE OR STATION INFORMATION RETURNED BY BRET ELITHORP ON UMATILLA COUNTY MAP OF SURVEY #14-155-B, FILED 12/2014
  - 3(BEARING/DIST) BEARING/DISTANCE RETURNED BY STEPHEN HADDOCK ON UMATILLA COUNTY MAP OF SURVEY #05-111-C, FILED 5/2005.
  - FOUND MONUMENT OF RECORD. SEE NOTE AT SYMBOL.
  - FOUND PIN FROM UMATILLA COUNTY MAP OF SURVEY #14-155-B.
  - SET 5/8"x30" REBAR PIN WITH A 2" DIA. ALUMINUM CAP STAMPED WITH THE CENTERLINE OFFSET, ENGINEERS STATION, 2015, PLS 49865. SET POST WITH PADDLE MARKED "MCROW", UNLESS OTHERWISE NOTED.
  - RIGHT OF WAY CENTERLINE
  - - - CENTERLINE TANGENTS
  - - - TRAVELED ROADWAY CENTERLINE



REGISTERED  
PROFESSIONAL  
LAND SURVEYOR

KENNETH H. DELANO JR.  
JULY 13, 1999  
49865  
RENEWS: 1/1/2018

RECEIVED BY  
Morrow County Surveyor  
Date: 10-05-2017  
Rec'd By: S.K.H.  
No.: 2017-1807D  
Folder No.: 1807