

PARTITION PLAT 2002-9

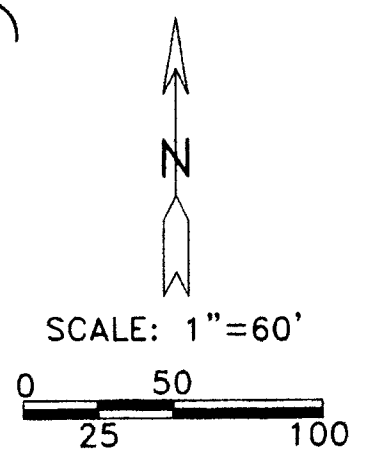
LP-N-313

IN BLOCK 15W IN NW 1/4, SECTION 25, T 5 N, R 26 E,
WILLAMETTE MERIDIAN, MORROW COUNTY, OREGON

SURVEYOR'S CERTIFICATE AND NARRATIVE:

I, G. DENNIS EDWARDS, AM A REGISTERED SURVEYOR OF THE STATE OF OREGON, AND HAVE MARKED WITH PROPER MONUMENTS THE LAND SHOWN ON THIS PLAT.
THE PURPOSE OF THIS SURVEY IS TO PARTITION LOT 8, BLOCK 15W INTO THREE PARCELS FOR A PENDING SALE AND FOR FUTURE SALES. I BASED THE BEARINGS ON MY PARTITION PLAT 2000-7.
DESCRIPTION: LOT 8, BLOCK 15W, SECTION 25, TOWNSHIP 5 NORTH, RANGE 26 EAST, MORROW COUNTY, OREGON. INCLUDED IN A DEED TO CRAIG HULSE RECORDED ON M-2000-246 MORROW COUNTY MICROFILM RECORDS.

REGISTERED
PROFESSIONAL
LAND SURVEYOR
G. Dennis Edwards
OREGON
JULY 16, 1871
G. DENNIS EDWARDS
9 5 1
RENEWS 12/31/2003



OWNER'S DECLARATION AND DEDICATION:

I, THE OWNER OF THE LAND SHOWN ON THIS PLAT, HEREBY DECLARE THAT I HAVE CAUSED THIS PLAT TO BE PREPARED. I HEREBY DEDICATE THE 40 FOOT BY 50 FOOT ACCESS EASEMENT AS SHOWN FOR THE USES OF PARCELS 1 AND 2. I ALSO DEDICATE A 10 FOOT EASEMENT ALONG THE EAST SIDE OF THIS TRACT FOR UTILITIES AND IRRIGATION LINES.

Craig Hulse 11-5-2002
CRAIG HULSE

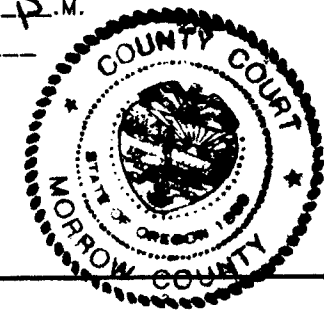
STATE OF OREGON }
COUNTY OF MORROW }
SUBSCRIBED, AND SWORN BEFORE ME ON THIS
15 DAY OF NOVEMBER, 2002
Wanda L. Eidson
NOTARY PUBLIC FOR OREGON
PRINTED NAME: WANDA L. EIDSON
COMMISSION NO. 327699
MY COMMISSION EXPIRES 10/3/03

APPROVALS:

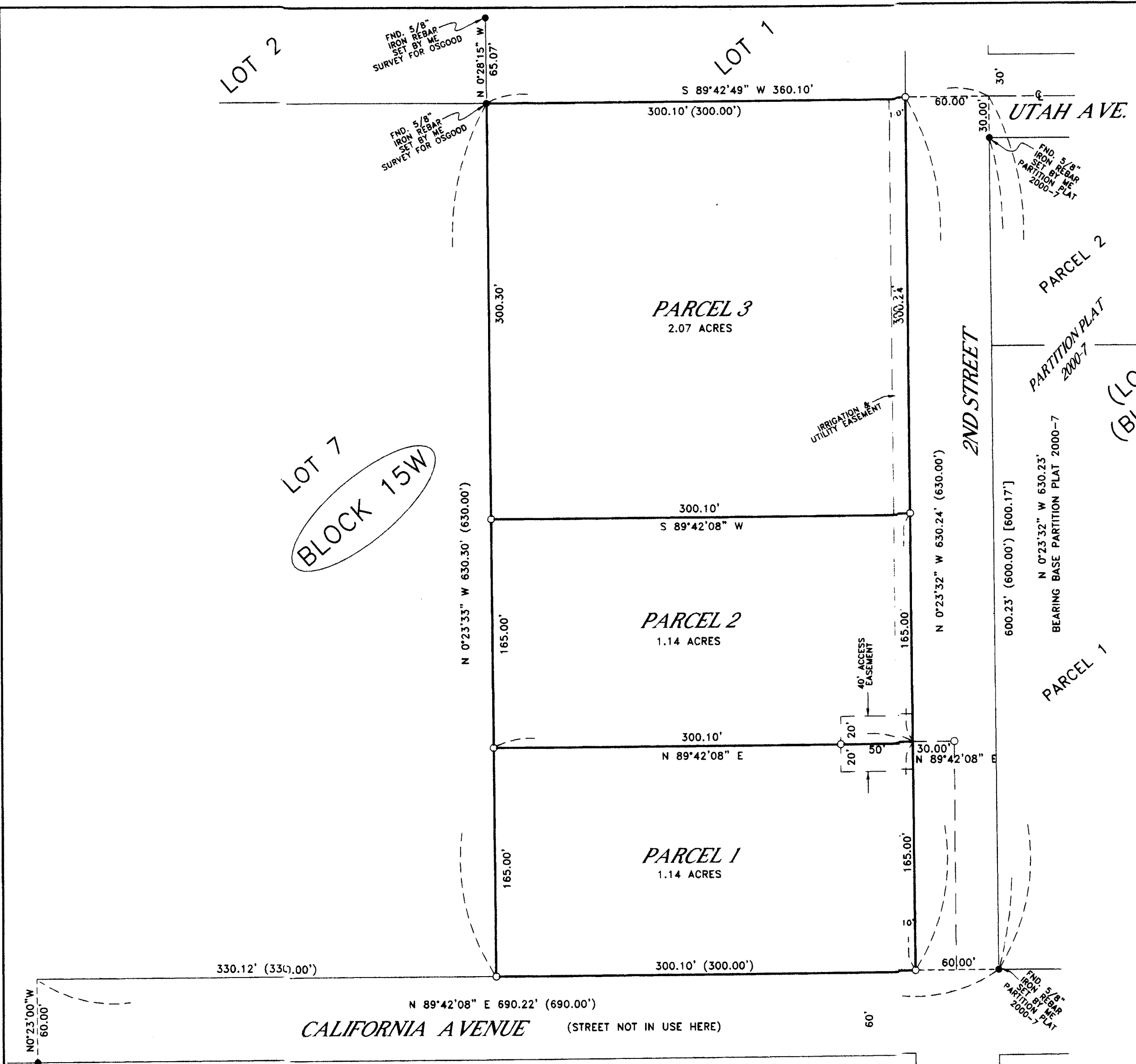
[Signature] 10/29/02 DATE
MORROW COUNTY SURVEYOR
[Signature] 11/5/02 DATE
MANAGER, WEST EXTENSION IRRIGATION DISTRICT
[Signature] 11/15/2002 DATE
MORROW COUNTY PLANNING DIRECTOR
[Signature] 11-15-02 DATE
MORROW COUNTY ASSESSOR
I HEREBY CERTIFY THAT ALL TAXED AND ASSESSMENTS AGAINST THE LAND DESCRIBED
HERE ON HAVE BEEN PAID IN FULL THIS 15 DAY OF November, 2002, A.D.
[Signature] 11-15-02 DATE
MORROW COUNTY TAX COLLECTOR

STATE OF OREGON }
COUNTY OF MORROW } SS
I HEREBY CERTIFY THAT THE WITHIN INSTRUMENT WAS
RECEIVED AND FILED FOR RECORD ON THE
DAY OF NOVEMBER, 2002, A.D. AT 2:55 O'CLOCK P.M.
AND RECORDED AS FILE NO. 2002-1793C

[Signature]
MORROW COUNTY CLERK
[Signature]
DEPUTY



JOB #S0209200
EDWARDS SURVEYING P.O. BOX 763
541-567-3336 HERMISTON, OREGON 97838
DRAWN BY NJF



LEGEND:
● FOUND MONUMENTS AS NOTED
○ SET 5/8"X30" IRON REBAR WITH PLASTIC CAP #951
[000] OF RECORD, MY PARTITION PLAT 2000-7
(000) OF RECORD, TAMBLYN'S 1935 PLAT OF SEC. 25
--- PARTITION BOUNDARY

RECEIVED BY
Morrow County Surveyor
Date: 3-24-2017
Rec'd By: S.K.H.
No.: 2017-1793C
Folder No.: 1793

BLOCK 16W

BLOCK 15W