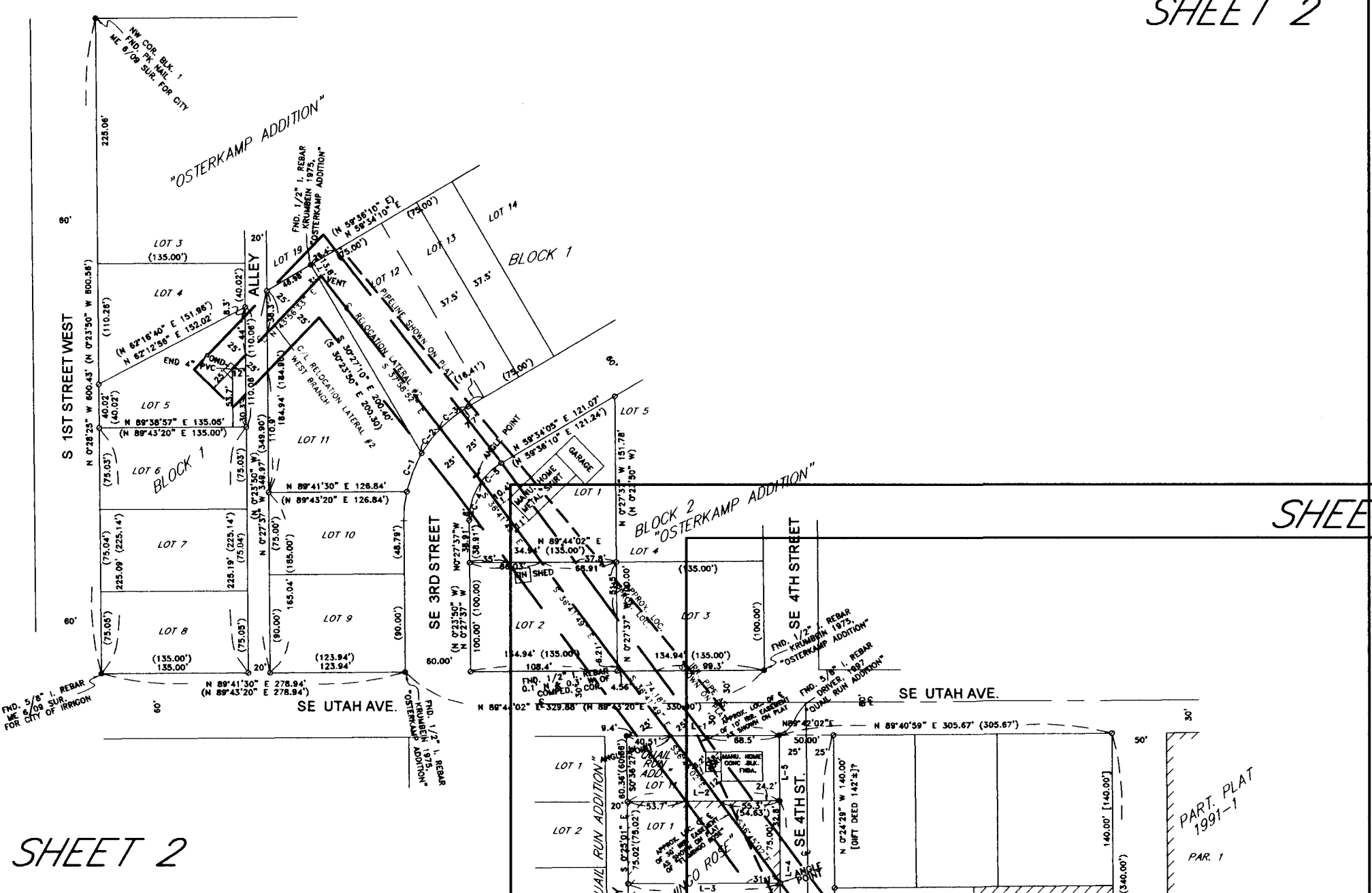


24 19
25 30

SHEET 2

R 26 E
R 27 E

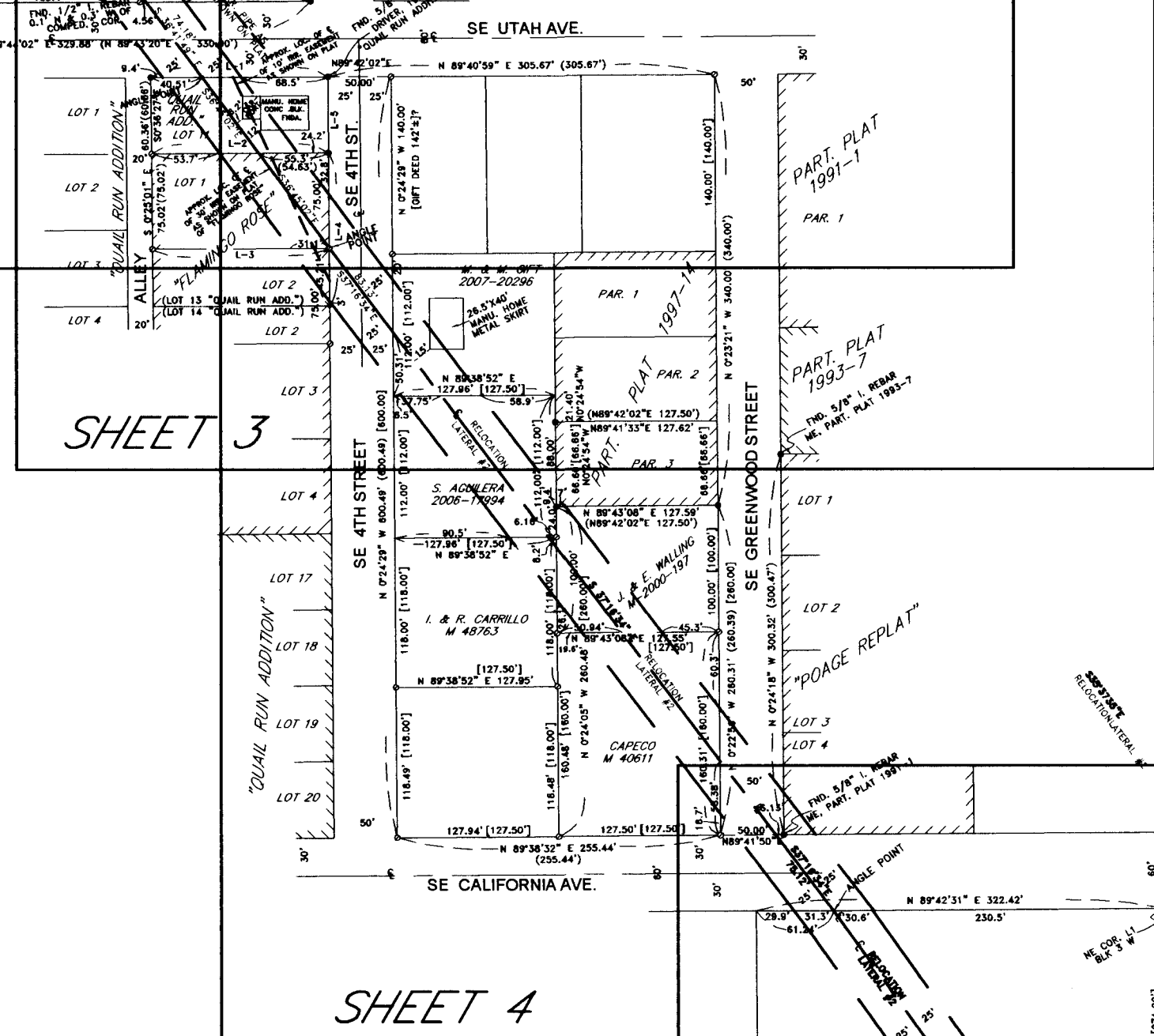
SE DIVISION STREET



SHEET 3

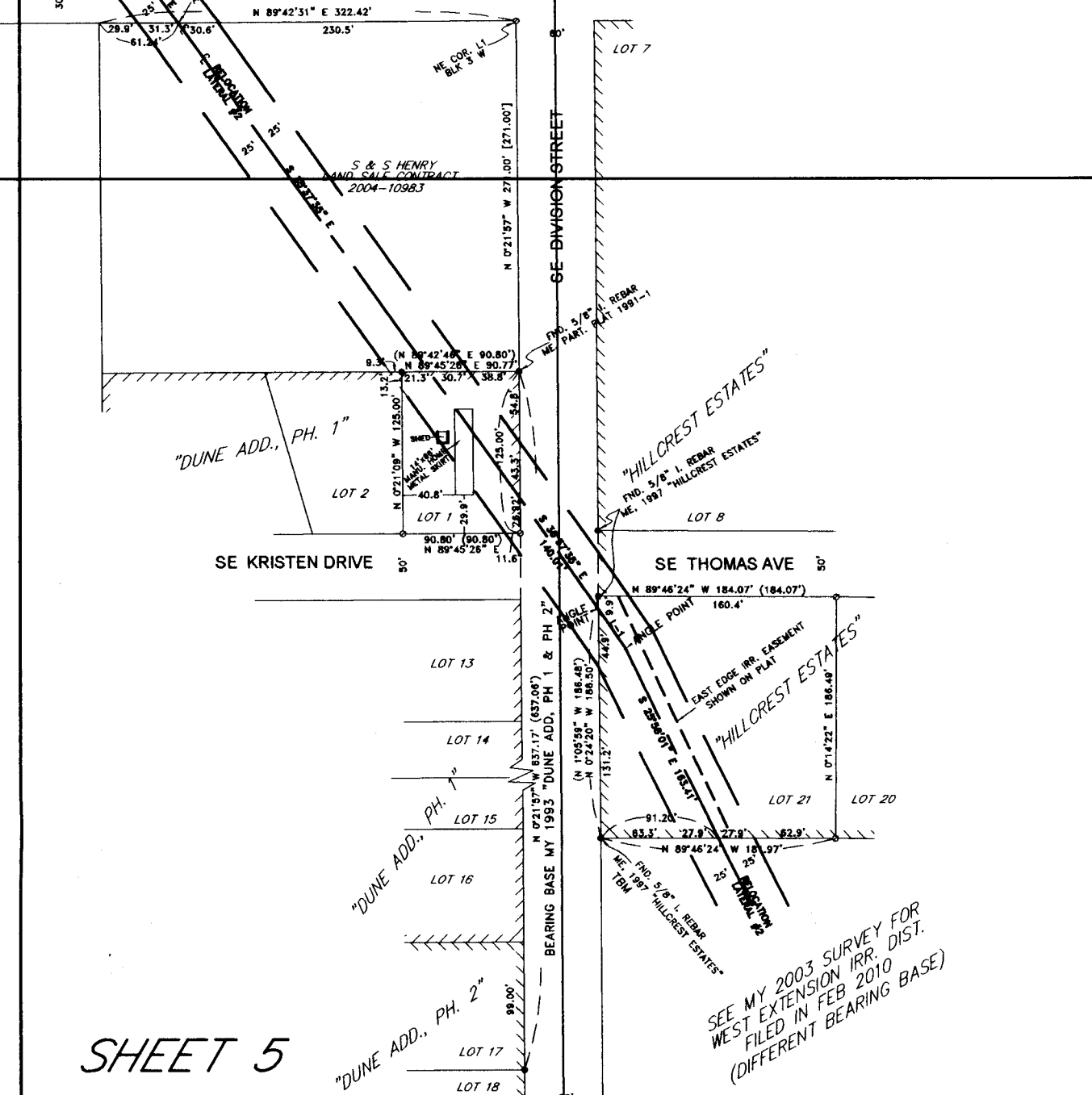
SHEET 4

SHEET 2

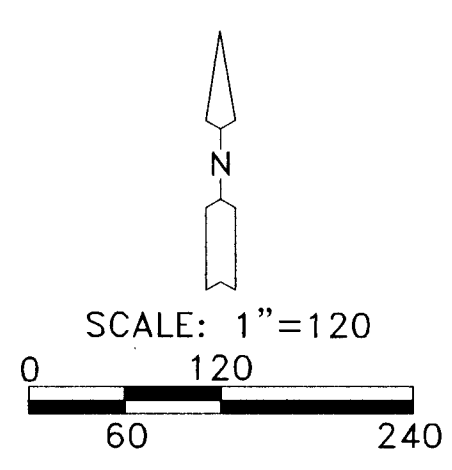


SHEET 4

SHEET 5



SHEET 5



SURVEYOR'S NARRATIVE:

THE PURPOSE OF THIS SURVEY IS TO TIE THE P.V.C. PIPE WHICH WEST EXTENSION IRRIGATION DISTRICT INSTALLED IN THE SAME LOCATION AS THE 18" CONCRETE PIPE LINE KNOWN AS "RELOCATION LATERAL #2" AND TO SHOW ITS LOCATION RELEVANT TO THE PROPERTY LINES. NO PROPERTY CORNERS WERE SET FOR THIS SURVEY.

THIS SURVEY WAS CONDUCTED WITH A TOPCON HIPER + G.P.S. AND THE BEARINGS ARE TRUE. THE BEARINGS ARE BASED ON THE EAST LINE OF "DUNE ADDITION PHASES ONE AND TWO" SHOWN ON SHEET 5.

SHEET 6 IS THE PROFILE OF THE NEW PIPE LINE. THE ELEVATIONS ARE ASSUMED AND THE TBM IS SHOWN ON SHEET 5. THE PROFILE ALSO INCLUDES THE NEW PIPE LINE FROM SHEET 5 SOUTH TO THE RELOCATION CANAL. THE PLAN VIEW OF THAT SECTION IS SHOWN ON MY 2003 (REVISED 2010) FOR WEST EXTENSION IRRIGATION DISTRICT.

REGISTERED
PROFESSIONAL
LAND SURVEYOR

G. Dennis Edwards

OREGON
JULY 16, 1971
G. DENNIS EDWARDS
9 5 1
RENEWS 12/31/2011

RECORDED IN
Morrow County Surveys
Date FEB 26 2010
Book By SKB
No 1568

1/4 COR.
25 30

SHEET 1 OF 6
INDEX MAP

SURVEY FOR WEST EXTENSION IRRIGATION DIST.
IN NE 1/4, SEC. 25, T 5 N, R 26 E,
& NW 1/4, SEC. 30, T 5 N, R 27 E,
W.M., MORROW COUNTY, OREGON
01/06/2010 JOB# S0910085 (F)
EDWARDS SURVEYING P.O. BOX 763
541-567-3336 HERMISTON, OREGON 97838
DRAWN BY JMC

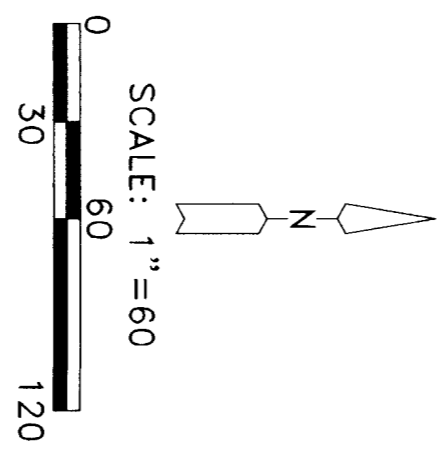
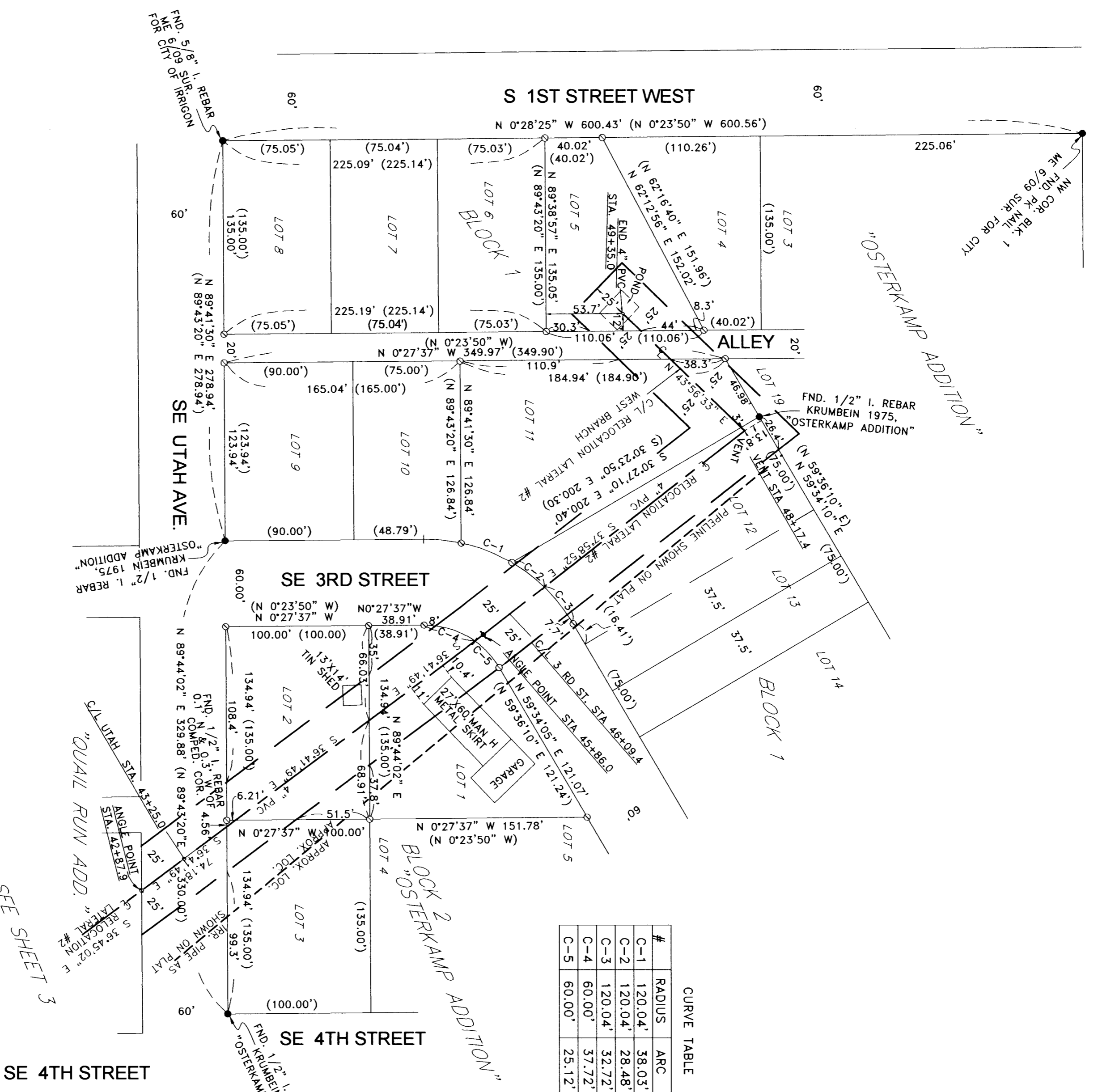
1568

SURVEYOR'S NARRATIVE:
 THE PURPOSE OF THIS SURVEY IS TO THE THE P.V.C. PIPE WHICH WEST EXTENSION IRRIGATION DISTRICT INSTALLED IN THE SAME LOCATION AS THE 18" CONCRETE PIPE LINE KNOWN AS "RELOCATION LATERAL #2" AND TO SHOW ITS LOCATION RELEVANT TO THE PROPERTY LINES. LOT CORNERS SHOWN AS COMPUTED ARE COMPUTED FROM FOUND MONUMENTS IN "OSTERKAMP ADD." THIS SURVEY WAS CONDUCTED WITH A TOPCON HIPPER + G.P.S. AND THE BEARINGS ARE TRUE. THE BEARINGS ARE BASED ON THE EAST LINE OF "DUNE ADDITION PHASES ONE AND TWO SHOWN ON SHEET 5."

REGISTERED
 PROFESSIONAL
 LAND SURVEYOR
G. Dennis Edwards
 OREGON
 JULY 16, 1971
 G. DENNIS EDWARDS
 9 5 1
 RENEWS 12/31/2011

CURVE TABLE

#	RADIUS	ARC	CHORD BRG. & DIST.
C-1	120.04'	38.03'	N21°17'50"E 37.87'
C-2	120.04'	28.48'	N37°12'25"E 28.41'
C-3	120.04'	32.72'	N51°51'46"E 32.62'
C-4	60.00'	37.72'	N17°36'37"E 37.10'
C-5	60.00'	25.12'	N47°36'37"E 24.93'



LEGEND:
 ● FOUND MONUMENTS AS NOTED
 ○ COMPUTED LOCATION FROM KRUMBEIN 1975, "OSTERKAMP ADDITION"
 (000) OF RECORD, KRUMBEIN 1975, "OSTERKAMP ADDITION"

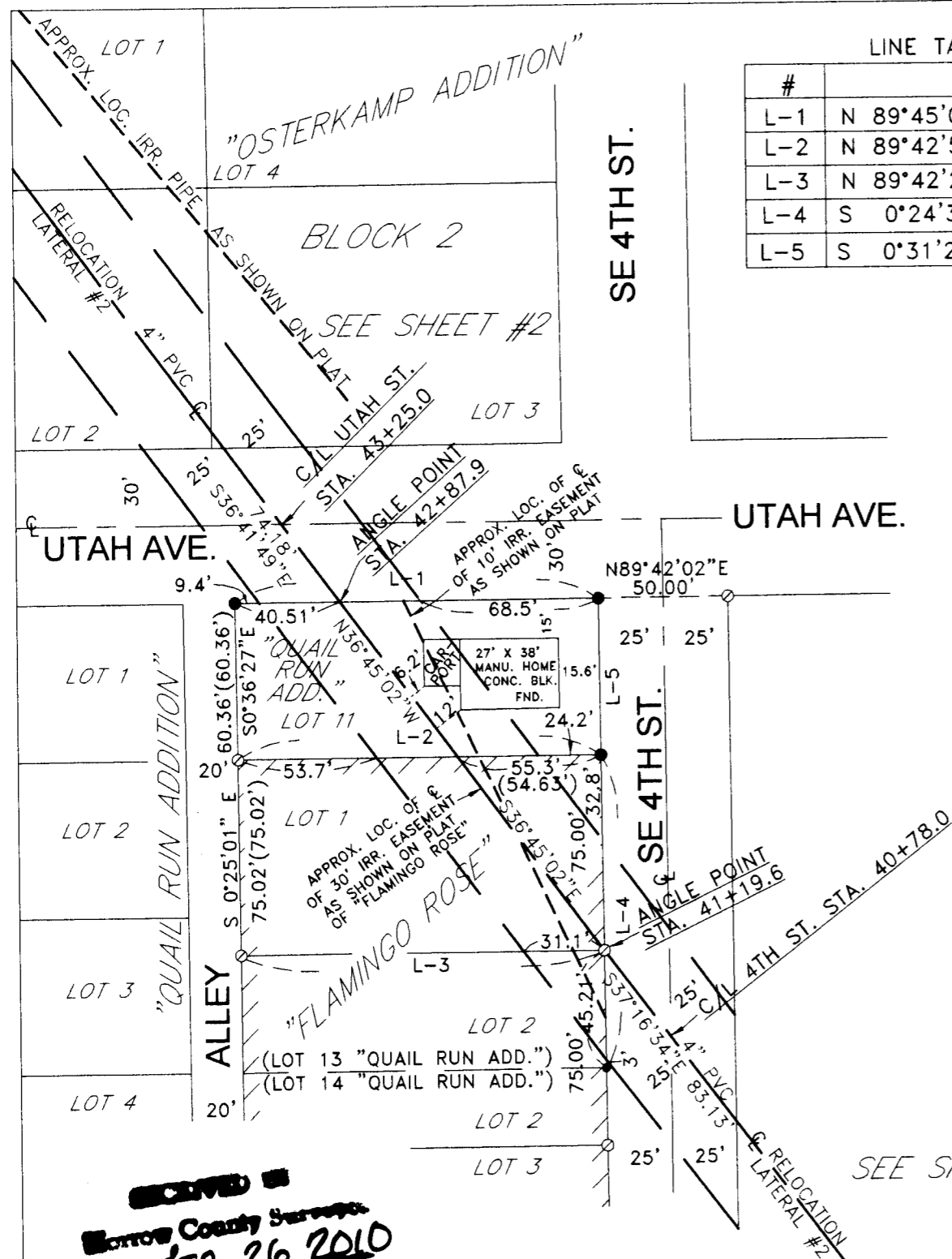
NOTE: FOR PROFILE SEE SHEET 6

SHEET 2 OF 6

RECEIVED BY
 Morrow County Surveyors
 Date FEB 26 2010
 Rec'd By SKB
 1568

SURVEY FOR WEST EXTENSION IRRIGATION DIST.
 IN NE 1/4, NE 1/4, SEC. 25, T 5 N,
 R 26 E, W.M., MORROW COUNTY, OREGON
 01/06/2010 JOB# S0910085 (B)
 EDWARDS SURVEYING P.O. BOX 753
 541-567-3336 HERMISTON, OREGON 97838
 DRAWN BY JMC

1568



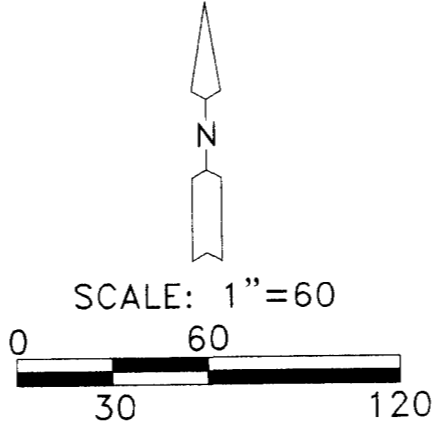
LINE TABLE

#	BEARING & DIST.
L-1	N 89°45'03" E 140.11' (N 89°41'57" E 140.00')
L-2	N 89°42'50" E 140.02' (N 89°42'52" E 140.00')
L-3	N 89°42'20" E 140.01' (N 89°43'49" E 140.01')
L-4	S 0°24'34" E 120.21' (S 0°23'34" E 120.00')
L-5	S 0°31'28" E 60.27' (S 0°23'22" E 60.41')

SURVEYOR'S NARRATIVE:

THE PURPOSE OF THIS SURVEY IS TO TIE THE P.V.C. PIPE WHICH WEST EXTENSION IRRIGATION DISTRICT INSTALLED IN THE SAME LOCATION AS THE 18" CONCRETE PIPE LINE KNOWN AS "RELOCATION LATERAL #2" AND TO SHOW ITS LOCATION RELEVANT TO THE PROPERTY LINES. NO PROPERTY CORNERS WERE SET FOR THIS SURVEY. LOT CORNERS SHOWN AS COMPUTED ARE COMPUTED FROM FOUND MONUMENTS IN "QUAIL RUN ADD." AND "FLAMINGO ROSE".

THIS SURVEY WAS CONDUCTED WITH A TOPCON HIPER + G.P.S. AND THE BEARINGS ARE TRUE. THE BEARINGS ARE BASED ON THE EAST LINE OF "DUNE ADDITION PHASES ONE AND TWO" SHOWN ON SHEET 5.



- LEGEND:**
- FOUND 5/8" I. REBAR, DRIVER, 1997 PLAT OF "QUAIL RUN ADDITION"
 - ⊙ COMPUTED LOCATION FROM PLATS OF "QUAIL RUN ADDITION" & "FLAMINGO ROSE" (000) OF RECORD, PLATS OF "QUAIL RUN ADDITION" & "FLAMINGO ROSE"
 - APPROX. LOC. OF C OF 10' IRR. PIPE EASEMENT AS SHOWN ON PLAT OF "QUAIL RUN ADDITION"

REGISTERED
PROFESSIONAL
LAND SURVEYOR

G. Dennis Edwards

OREGON
JULY 16, 1971
G. DENNIS EDWARDS
9 5 1
RENEWS 12/31/2011

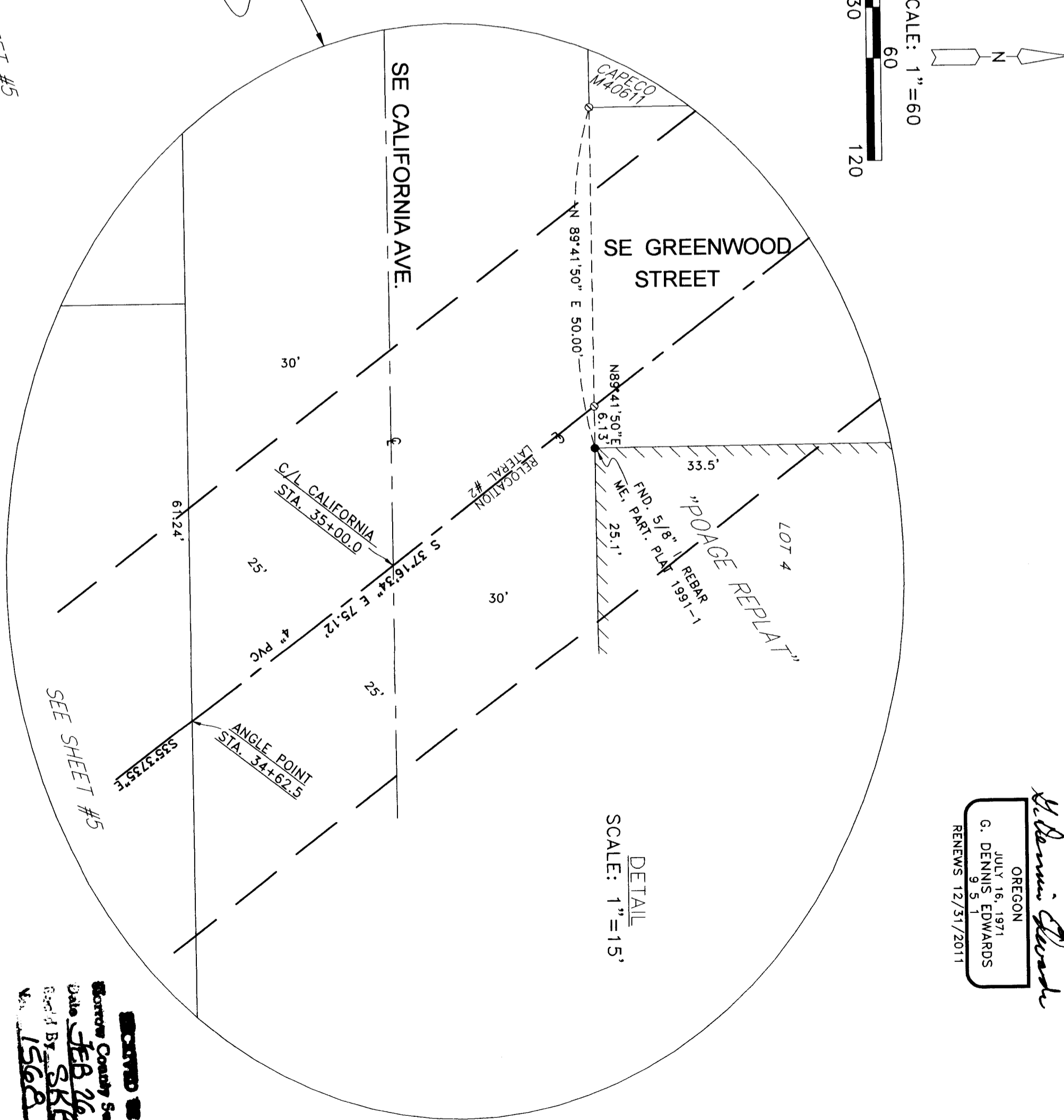
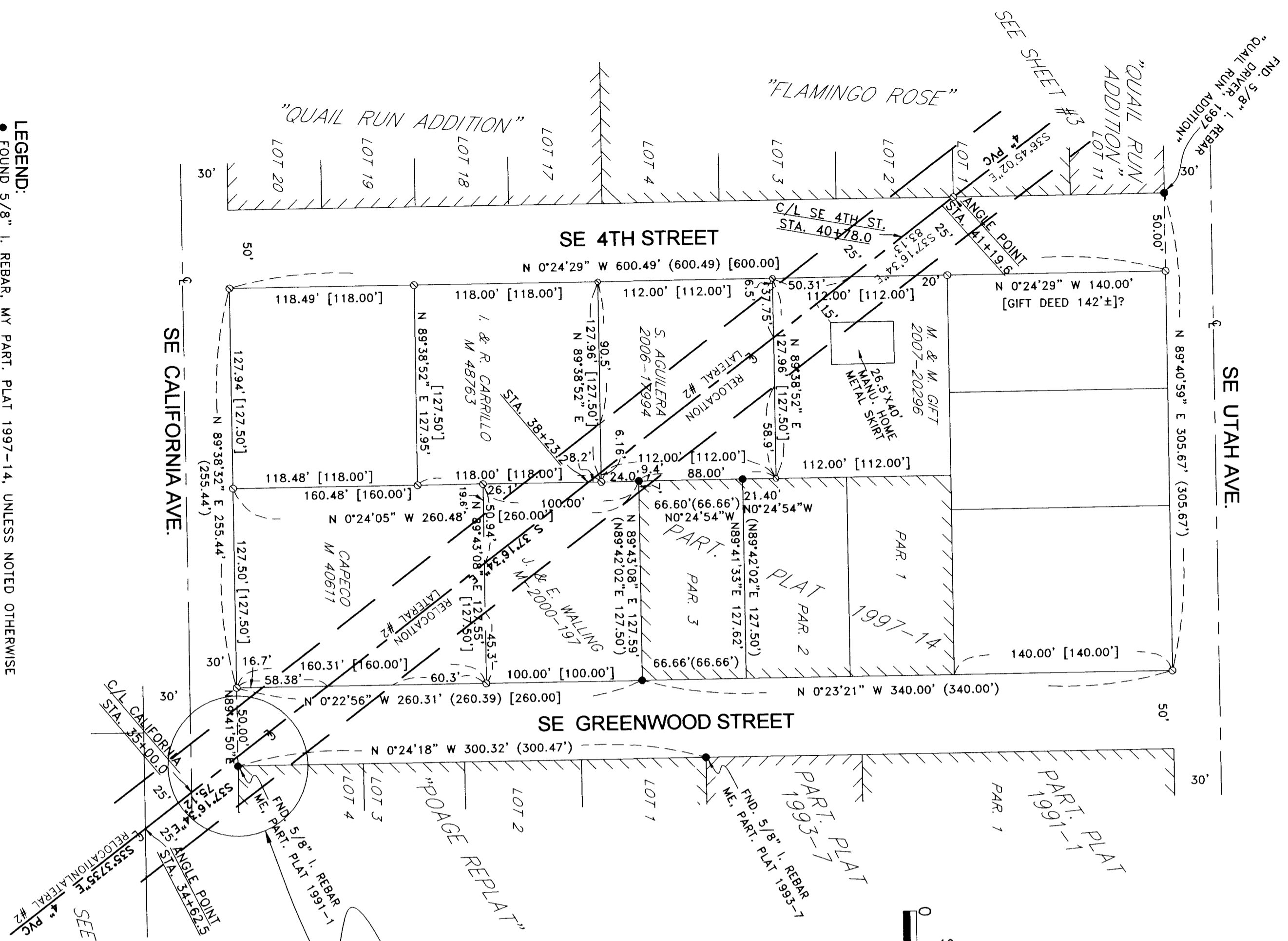
NOTE: FOR PROFILE SEE SHEET 6
SHEET 3 OF 6

SURVEY FOR WEST EXTENSION IRRIGATION DIST.
IN NE 1/4, NE 1/4, SEC. 25, T 5 N,
R 26 E, W.M., MORROW COUNTY, OREGON
01/06/2010 JOB# 50910085 (C)
EDWARDS SURVEYING P.O. BOX 763
541-567-3336 HERMISTON, OREGON 97838
DRAWN BY JMC

RECORDED IN
Morrow County Surveys
Date FEB 26 2010
Rec'd By SKB
No. 1568

1568

- LEGEND:**
- FOUND 5/8" I. REBAR, MY PART. PLAT 1997-14, UNLESS NOTED OTHERWISE
 - ⊙ COMPUTED LOC. FROM MY PARTITION PLAT 1997-14
 - (000) OF RECORD, PART. PLAT 1997-14 OR "POAGE REPLAT"
 - [000] OF RECORD, DEEDS



SURVEYORS NARRATIVE:
 THE PURPOSE OF THIS SURVEY IS TO TIE THE P.V.C. PIPE WHICH WEST EXTENSION IRRIGATION DISTRICT INSTALLED IN THE SAME LOCATION AS THE 18" CONCRETE PIPE LINE KNOWN AS "RELOCATION LATERAL #2" AND TO SHOW ITS LOCATION RELEVANT TO THE PROPERTY LINES. NO PROPERTY CORNERS WERE SET FOR THIS SURVEY. LOT CORNERS SHOWN AS COMPUTED ARE COMPUTED FROM FOUND MONUMENTS SHOWN ON PARTITION PLAT 1994-14. THIS SURVEY WAS CONDUCTED WITH A TOPCON HIPER + G.P.S. AND THE BEARINGS ARE TRUE. THE BEARINGS ARE BASED ON THE EAST LINE OF "DUNE ADDITION PHASES ONE AND TWO" SHOWN ON SHEET 5.

REGISTERED PROFESSIONAL LAND SURVEYOR
G. Dennis Edwards
 OREGON
 JULY 16, 1971
 G. DENNIS EDWARDS
 9 5 1
 RENEWS 12/31/2011

NOTE: FOR PROFILE SEE SHEET 6
 SHEET 4 OF 6

SURVEY FOR WEST EXTENSION IRRIGATION DIST.
 IN NE 1/4, NE 1/4, SEC. 25, T 5 N,
 R 26 E, W.M., MORROW COUNTY, OREGON
 01/06/2010 JOB# S0910085 (D)
 EDWARDS SURVEYING P.O. BOX 763
 541-567-3356 HERMISTON, OREGON 97838
 DRAWN BY JMC

RECORDED
 Morrow County Survey
 Date FEB 26 2010
 Surveyed By SKB
 V. 1568

SEE MY MAP #4
 "POAGE REPLAT"
 FND. 5/8" I. REBAR
 ME. PART. PLAT 1991-1
 LOT 4

SE CALIFORNIA AVE.

SE DIVISION STREET

SE THOMAS AVE

"HILLCREST ESTATES"

"DUNE ADD., PH. 1"

"DUNE ADD., PH. 2"

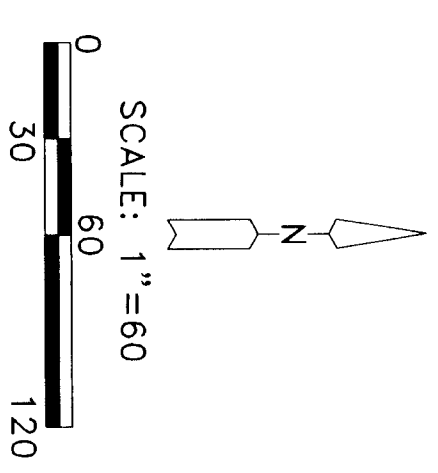
LOT 1, 2, 3, 4, 5, 6, 7, 8, 9, 10, 11, 12, 13, 14, 15, 16, 17, 18, 19, 20, 21



REGISTERED PROFESSIONAL LAND SURVEYOR
G. Dennis Edwards
 OREGON
 JULY 16, 1971
 G. DENNIS EDWARDS
 9 5 1
 RENEWS 12/31/2011

LINE TABLE

#	BEARING & DIST.
L-1	S 34°48'17" E 36.62'
L-2	N 0°20'58" W 49.91' (N 1°05'59" W 50.00')



ASSUMED ELEVATION
 TBM EL. 95.66
 ME. 1997 "HILLCREST ESTATES"
 FND. 5/8" I. REBAR

SEE MY 2003 SURVEY FOR WEST EXTENSION IRRIGATION DISTRICT (DIFFERENT BEARING BASE)

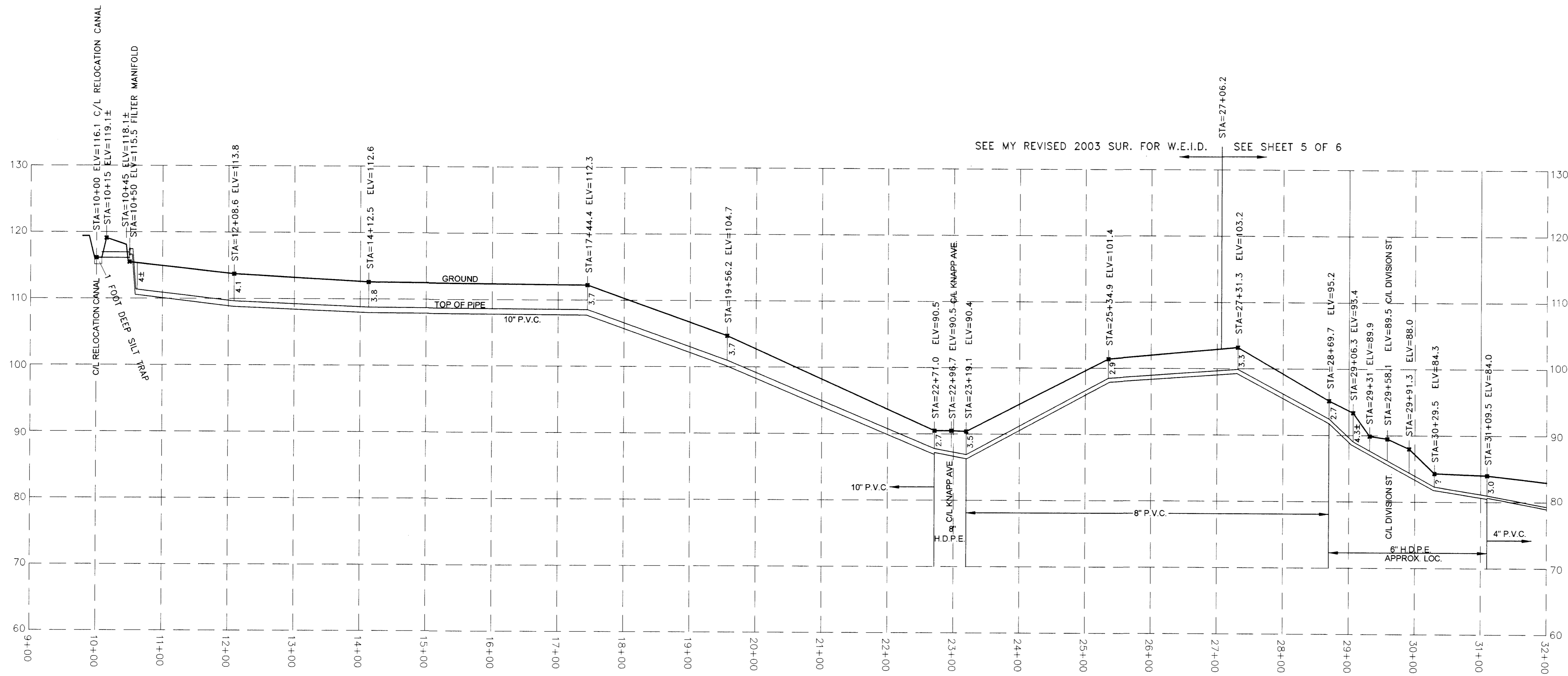
LEGEND:
 ● FOUND 5/8" I. REBAR, MY 1993 "DUNE ADD., PH. 1" & MY 1994 "DUNE ADD., PH. 2", UNLESS NOTED OTHERWISE
 ⊙ COMPUTED LOCATION
 (000) OF RECORD, MY 1993 "DUNE ADD., PH. 1", MY 1994 "DUNE ADD., PH. 2", & MY 1997 "HILLCREST ESTATES"
 [000] OF RECORD, DEEDS

NOTE: FOR PROFILE SEE SHEET 6
 SHEET 5 OF 6

SURVEY FOR WEST EXTENSION IRRIGATION DIST. IN NE 1/4 SEC. 25, T 5 N, R 26 E, & NW 1/4 SEC. 30, T 5 N, R 27 E, W.M., MORROW COUNTY, OREGON 01/06/2010 JOB# S0910085 (E) EDWARDS SURVEYING P.O. BOX 763 541-567-3336 HERMISTON, OREGON 97338 DRAWN BY JMC

APPROVED
 FEB 26 2010
 BY SKB
 1568

1568

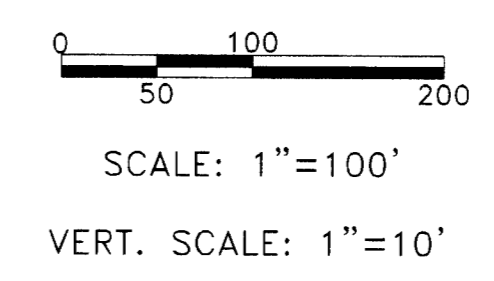


SEE MY REVISED 2003 SUR. FOR W.E.I.D. SEE SHEET 5 OF 6

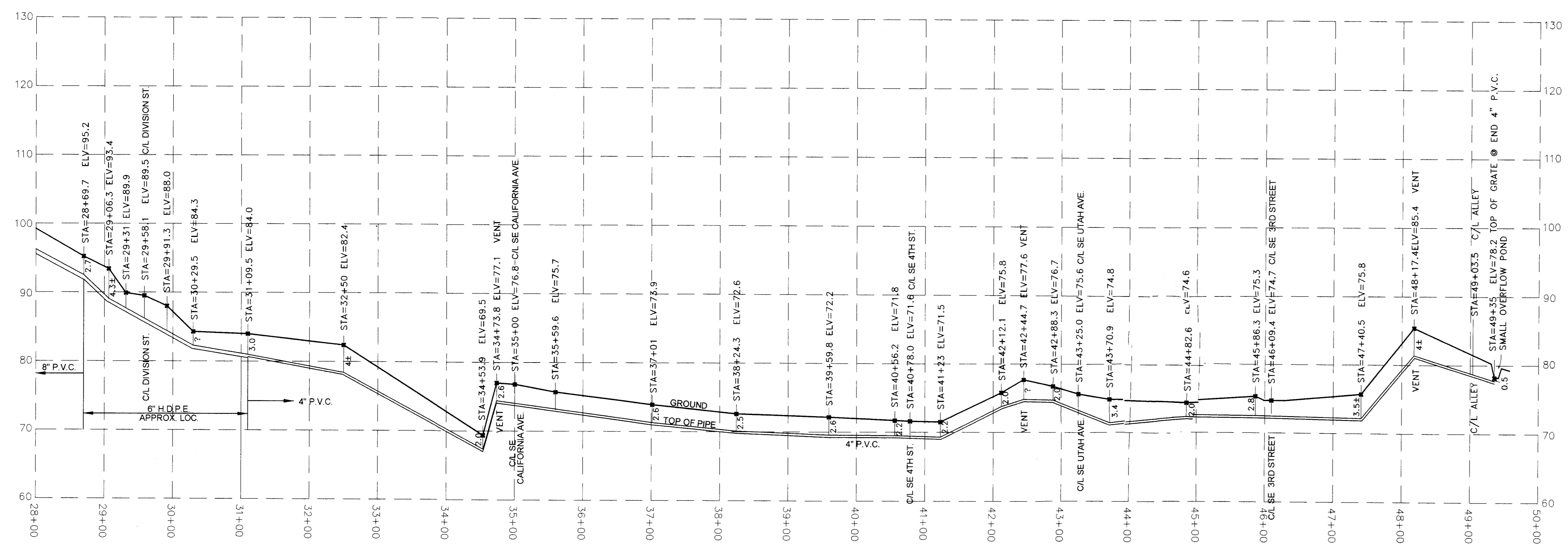
SURVEYOR'S NARRATIVE:

THIS IS SHEET SIX OF SIX WHICH SHOWS THE PROFILE OF THE P.V.C. PIPE WHICH WEST EXTENSION IRRIGATION DISTRICT INSTALLED IN THE SAME LOCATION AS THE 18" CONCRETE PIPE LINE KNOWN AS RELOCATION LATERAL #2.

THIS SURVEY WAS CONDUCTED WITH A TOPCON HIPER + G.P.S. AND THE ELEVATIONS ARE ASSUMED. THE TEMPORARY BENCH MARK IS THE 5/8" IRON REBAR AT THE SOUTHWEST CORNER OF "HILLCREST ESTATES" AND IS SHOWN ON MAP # 5 (LEFT OF STA. 27+30). THIS PROFILE ALSO SHOWS THE PIPE LINE RUNNING SOUTH FROM SAID "HILLCREST ESTATES" TO THE RELOCATION CANAL AS SHOWN ON MY 1/6/10 REVISED MAP OF SAID RELOCATION LATERAL #2 WHICH I DID IN FEBRUARY OF 2003.



REGISTERED PROFESSIONAL LAND SURVEYOR
Dennis Edwards
 OREGON
 JULY 16, 1971
 G. DENNIS EDWARDS
 9 5
 RENEWS 12/31/2011



RECORDED IN
 Morrow County Surveys
 Date FEB 26 2010
 Rec'd By SKB
 No. 1568

SHEET 6 OF 6

SURVEY FOR WEST EXTENSION IRRIGATION DIST.
 IN NE 1/4, SEC. 25, T 5 N, R 26 E,
 & NW 1/4 SEC. 30, T 5 N, R 27 E,
 W.M., MORROW COUNTY, OREGON
 01/06/2010 JOB# S0910085 (G)
 EDWARDS SURVEYING P.O. BOX 763
 541-567-3336 HERMISTON, OREGON 97838
 DRAWN BY JMC