

# "JEAN REPLAT"

A REPLAT OF LOT 9, "RHONDA ADDITION,"  
 IN THE CITY OF IRRIGON  
 IN THE SW 1/4 OF SECTION 24, T 5 N,  
 R 26 E, W.M., MORROW COUNTY, OREGON  
 IN BLOCK 13W OF THE SUBDIVISION OF SECTION 24

## SURVEYOR'S NARRATIVE & CERTIFICATE:

I, G. DENNIS EDWARDS, AM A REGISTERED SURVEYOR OF THE STATE OF OREGON AND HAVE MARKED WITH LEGAL MONUMENTS THE LAND SHOWN ON THIS PLAT.  
 I SURVEYED THIS TRACT IN THE PLAT OF "RHONDA ADDITION". THIS SURVEY AND THE BEARINGS ARE BASED ON THAT PLAT.

REGISTERED  
 PROFESSIONAL  
 LAND SURVEYOR

*G. Dennis Edwards*

OREGON  
 JULY 16, 1971  
 G. DENNIS EDWARDS  
 9 5 1  
 RENEWS 12/31/2007

## OWNER'S DECLARATION:

WE, THE OWNERS OF THE ABOVE DESCRIBED LAND, HEREBY DECLARE THAT WE HAVE CAUSED THIS PLAT TO BE PREPARED.

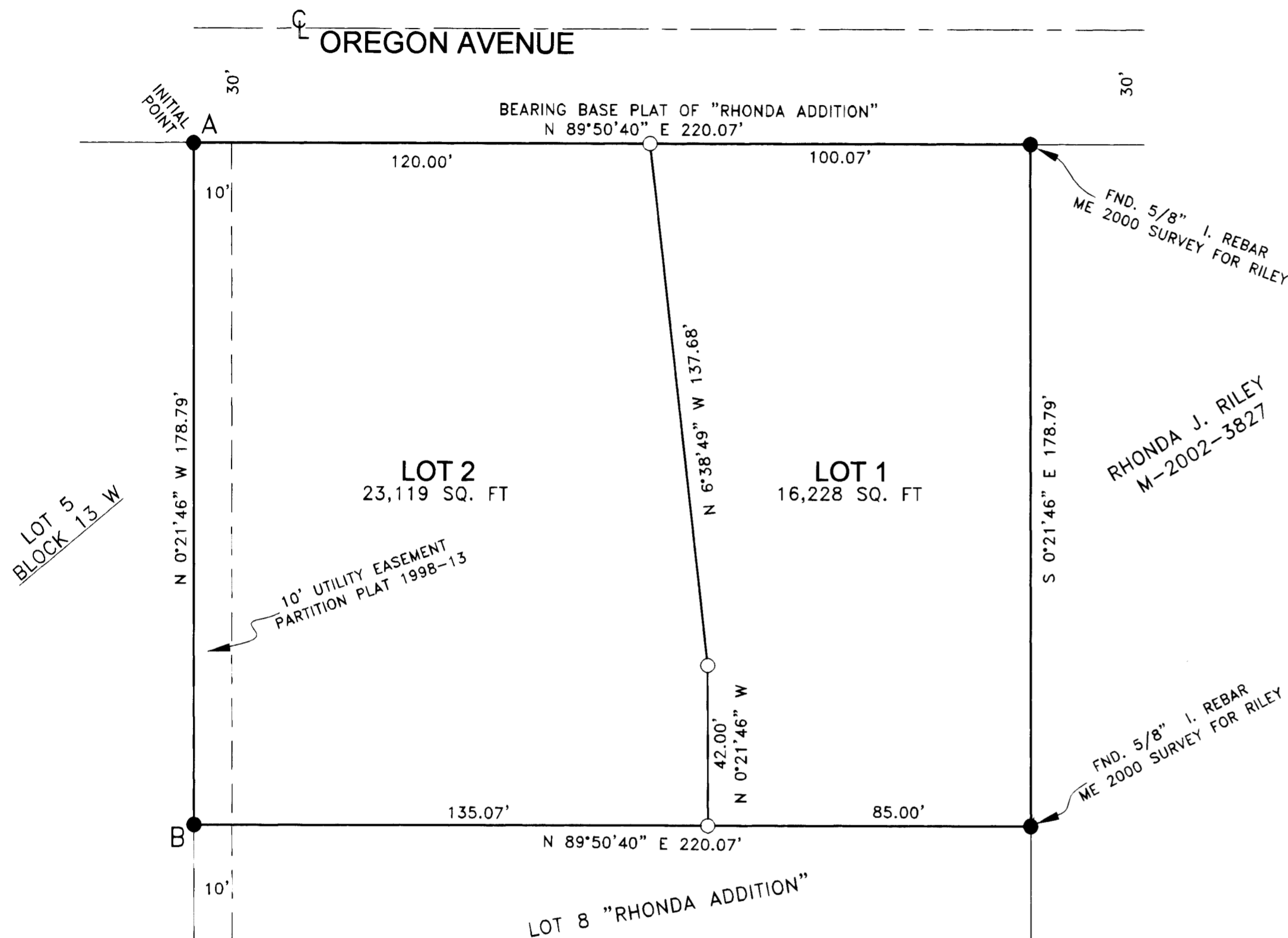
*B. Nathaleen Riley*  
 B. NATHALEEN RILEY

*Carl F. Riley*  
 CARL F. RILEY

STATE OF OREGON }  
 COUNTY OF Morrow }  
 ACKNOWLEDGED BEFORE ME ON THIS  
 19<sup>th</sup> DAY OF April, 2007  
*Lisa M Baum*  
 NOTARY PUBLIC FOR OREGON  
 PRINTED NAME Lisa M Baum  
 COMMISSION NO. 407311  
 MY COMMISSION EXPIRES 8/7/2010

## LEGEND:

- FOUND MONUMENTS AS NOTED OR  
 A 5/8" I. REBAR, SET BY ME IN 1998, SURVEY FOR CARL RILEY  
 B 5/8" I. REBAR, SET BY ME IN 2005, SURVEY FOR "RHONDA ADDITION"
- SET 5/8"X30" IRON REBAR WITH PLASTIC CAP #951



## APPROVALS:

### MORROW COUNTY SURVEYOR

APPROVED THIS 24<sup>th</sup> DAY OF April, 2007

*John S. Cooper*  
 MORROW COUNTY SURVEYOR

### MORROW COUNTY COURT

APPROVED THIS 25<sup>th</sup> DAY OF APRIL, 2007

*Jerry K. Tallman* COUNTY JUDGE  
*Ken A. Enelt* COMMISSIONER

### WEST EXTENSION IRRIGATION

APPROVED THIS 24<sup>th</sup> DAY OF April, 2007

*Brenda Bridgewater*  
 MANAGER

### MORROW COUNTY ASSESSOR & TAX COLLECTOR

PROPERTY TAXES ARE PAID IN FULL.  
 APPROVED THIS 24<sup>th</sup> DAY OF April, 2007

*Sandi Patton* Deputy  
 ASSESSOR & TAX COLLECTOR

### CITY OF IRRIGON

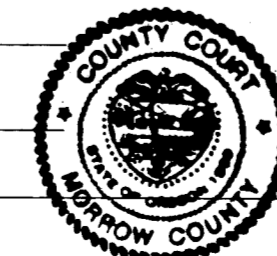
APPROVED THIS 19<sup>th</sup> DAY OF April, 2007

*Ann W. Bruns*  
 CITY MANAGER

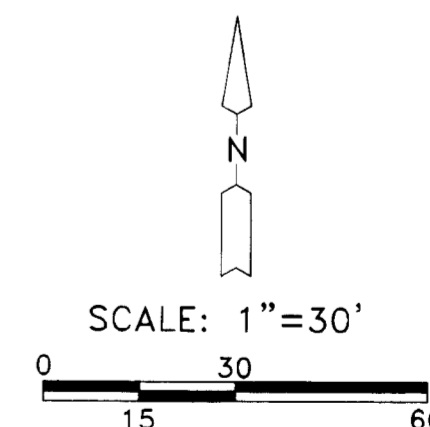
STATE OF OREGON }  
 COUNTY OF MORROW } SS

I HEREBY CERTIFY THAT THE WITHIN INSTRUMENT WAS RECEIVED AND FILED FOR RECORD ON THE 25<sup>th</sup> DAY OF April, 2007, A.D. AT 11:34 O'CLOCK A.M. AND RECORDED AS FILE NO. 2007-19224

*Bobbi Childers*  
 MORROW COUNTY CLERK  
*Cheresa Jessen*  
 DEPUTY



RECEIVED BY  
 Morrow County Surveyor  
 Date MAY 14 2007  
 Rec'd By SKB  
 No. 1503-C



THIS IS AN EXACT COPY: *G. Dennis Edwards*  
 G. DENNIS EDWARDS

JOB# S0702028  
 EDWARDS SURVEYING P.O. BOX 763  
 541-567-3336 HERMISTON, OREGON 97838  
 DRAWN BY JMC