

**NARRATIVE:**

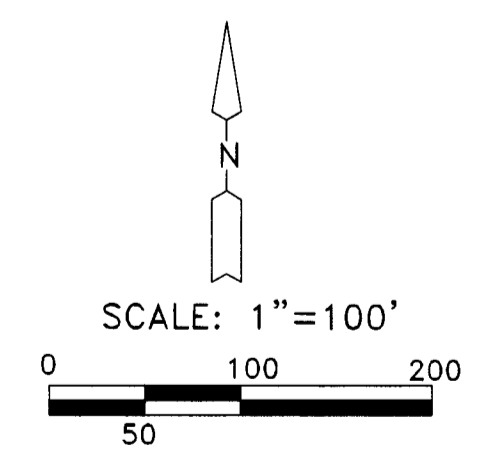
THE PURPOSE OF THIS SURVEY IS TO STAKE THE SOUTH AND EAST LINE OF LOT 4, BLOCK 1, "WAGON WHEEL ADDITION" SO A FENCE CAN BE BUILT.  
 I FOUND ALL CORNERS OF LOT 4 EXCEPT THE NE. I RETRACED MY 1979 PLAT TO REPLACE IT.  
 IN 1977 DAVE KRUMBEIN, THE MORROW COUNTY SURVEYOR, ESTABLISHED THE NW CORNER OF SEC. 36 BY PROPORTION AND IN 1979 (HIS FIRM) JIM BUISMAN SURVEYED THE BOUNDARY FOR "WAGON WHEEL ADD.". IN 1981 WALT CRAMER OR KRUMBEIN FOUND A CONCRETE MONUMENT WHICH IS SHOWN ON TAMBLYN'S PLAT OF SECTION 25 AS THE SECTION CORNER. IT LIES 3.12 FEET NORTH AND 45.86 FEET EAST OF THE 1977 CORNER. THERE IS A FENCE CORNER ABOUT HALF WAY BETWEEN THE ABOVE MENTIONED MONUMENTS WHICH THE CIRCUIT COURT RULED AS THE PROPERTY CORNER IN ORDER AND JUDGMENT # 6513 ON LOT 4 4/13/81 FOR PROPERTY TO THE NORTH OF SAID SECTION CORNER. ON THE WEST LINE I FOUND THE IRON RODS SET FROM THE INCORRECT SECTION LINE. I SHOW THE APPROXIMATE LOCATION OF THE SECTION LINE AS IT EXISTS TO DAY AND I SET MONUMENTS IN THE FENCE LINE AT THE APPARENT PROPERTY LINE. PROBABLY A BOUNDARY LINE AGREEMENT SHOULD BE DONE WITH ALL OF THE PROPERTY OWNERS IN "WAGON WHEEL ADD." WITH THE OWNER OF THE LAND TO THE WEST TO EITHER MAKE THE PROPERTY LINE THE EXISTING FENCE LINE OR POSSIBLY TO THE MONUMENTS WHICH WERE SET BY ME IN 1979. THE LATTER WOULD NOT CHANGE THE PLAT.

REGISTERED  
 PROFESSIONAL  
 LAND SURVEYOR  
*G. Dennis Edwards*  
 OREGON  
 JULY 16, 1971  
 G. DENNIS EDWARDS  
 9 5 1  
 RENEWS 12/31/2005

**LEGEND:**

- FOUND 1/2" IRON REBAR, ME 1979 PLAT OF "WAGON WHEEL ADDITION"
- SET 5/8"x30" IRON REBAR WITH PLASTIC CAP #951

**RECEIVED BY**  
 Morrow County Surveyor  
 Date SEPTEMBER 2005  
 Rec'd By SKB  
 No. 1941-C



SURVEY FOR VERA BROOKS  
 IN LOT 4, BLK. 1, "WAGON WHEEL ADDITION",  
 IN NW 1/4, SEC. 36, T 5 N, R 26 E, W.M.,  
 MORROW COUNTY, OREGON  
 5/24/2005 JOB# S0505085  
 EDWARDS SURVEYING P.O. BOX 763  
 541-567-3336 HERMISTON, OREGON 97838  
 DRAWN BY NJF

144