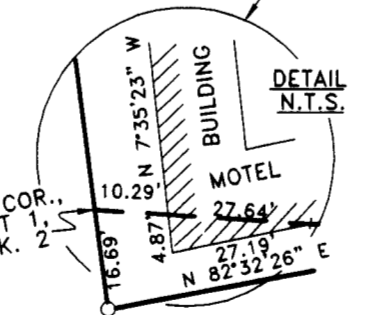
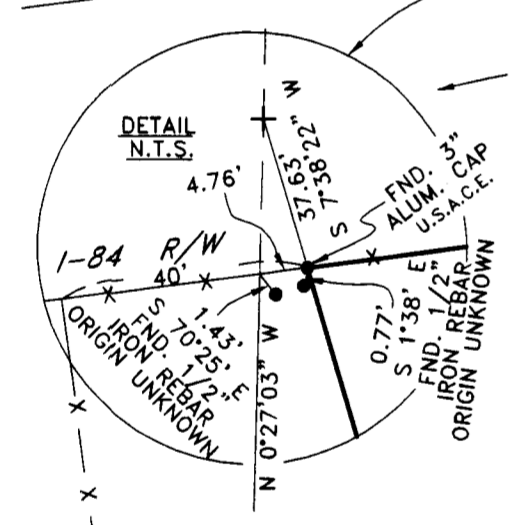
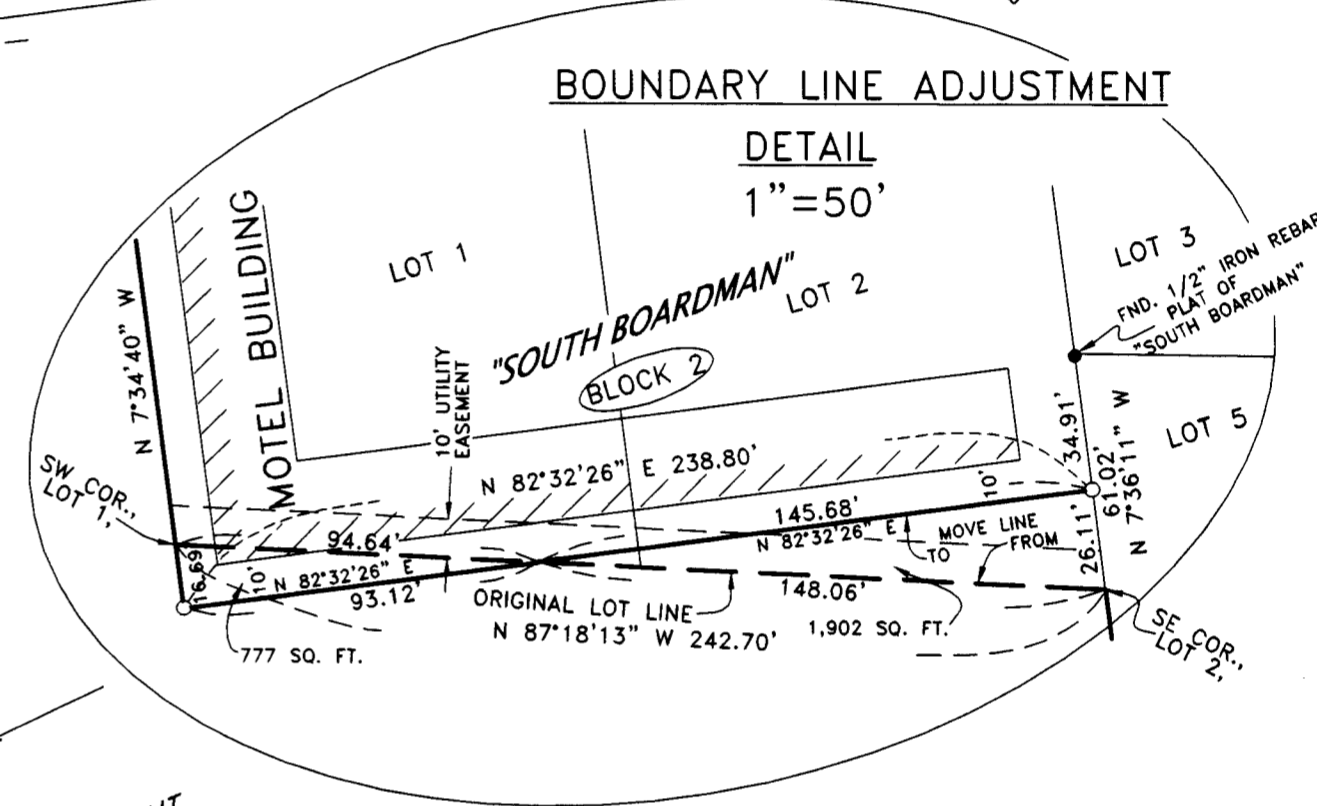
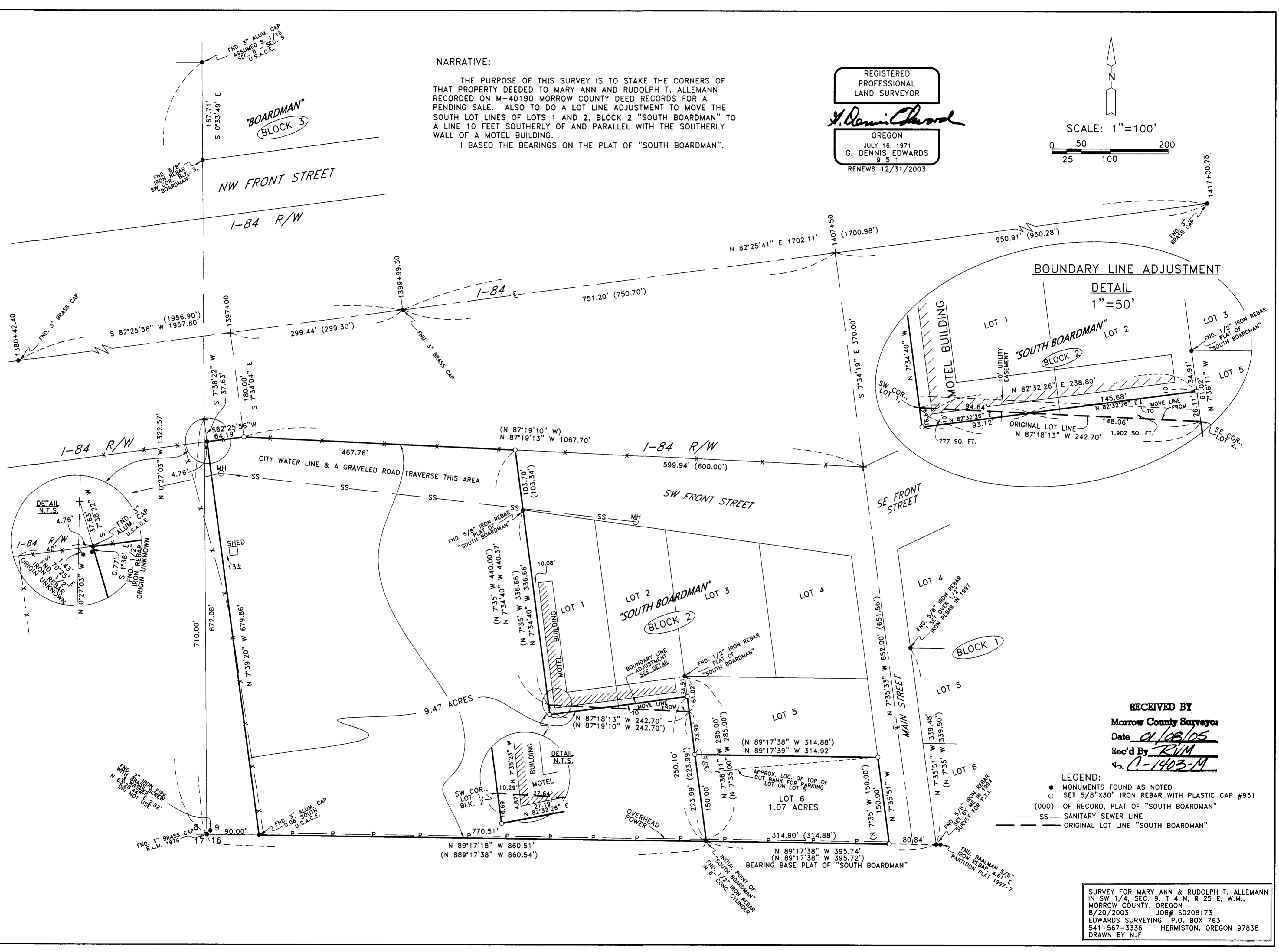
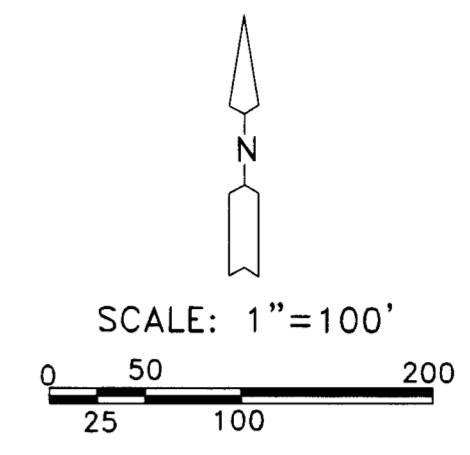


NARRATIVE:

THE PURPOSE OF THIS SURVEY IS TO STAKE THE CORNERS OF THAT PROPERTY DEEDED TO MARY ANN AND RUDOLPH T. ALLEMANN RECORDED ON M-40190 MORROW COUNTY DEED RECORDS FOR A PENDING SALE. ALSO TO DO A LOT LINE ADJUSTMENT TO MOVE THE SOUTH LOT LINES OF LOTS 1 AND 2, BLOCK 2 "SOUTH BOARDMAN" TO A LINE 10 FEET SOUTHERLY OF AND PARALLEL WITH THE SOUTHERLY WALL OF A MOTEL BUILDING.

I BASED THE BEARINGS ON THE PLAT OF "SOUTH BOARDMAN".

REGISTERED PROFESSIONAL LAND SURVEYOR
OREGON
JULY 16, 1971
G. DENNIS EDWARDS
RENEWS 12/31/2003



RECEIVED BY
Morrow County Surveyor
Date 01/08/05
Rec'd By RUM
C-1403-M

- LEGEND:
- MONUMENTS FOUND AS NOTED
 - SET 5/8"x30" IRON REBAR WITH PLASTIC CAP #951 (000) OF RECORD, PLAT OF "SOUTH BOARDMAN"
 - SS SANITARY SEWER LINE
 - ORIGINAL LOT LINE "SOUTH BOARDMAN"

SURVEY FOR MARY ANN & RUDOLPH T. ALLEMANN
IN SW 1/4, SEC. 9, T 4 N, R 25 E, W.M.,
MORROW COUNTY, OREGON
8/20/2003 JOB# 50208173
EDWARDS SURVEYING P.O. BOX 763
541-567-3336 HERMISTON, OREGON 97838
DRAWN BY NJF