

NARRATIVE:

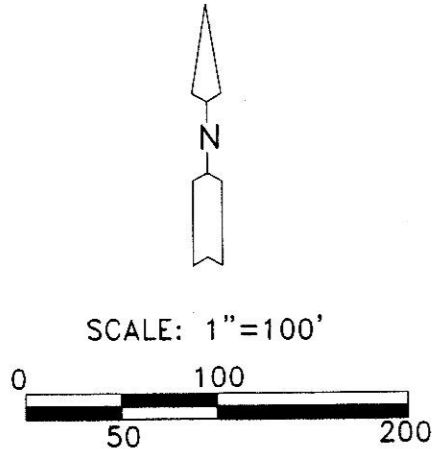
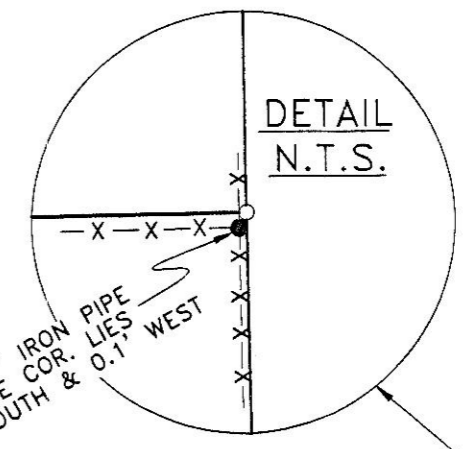
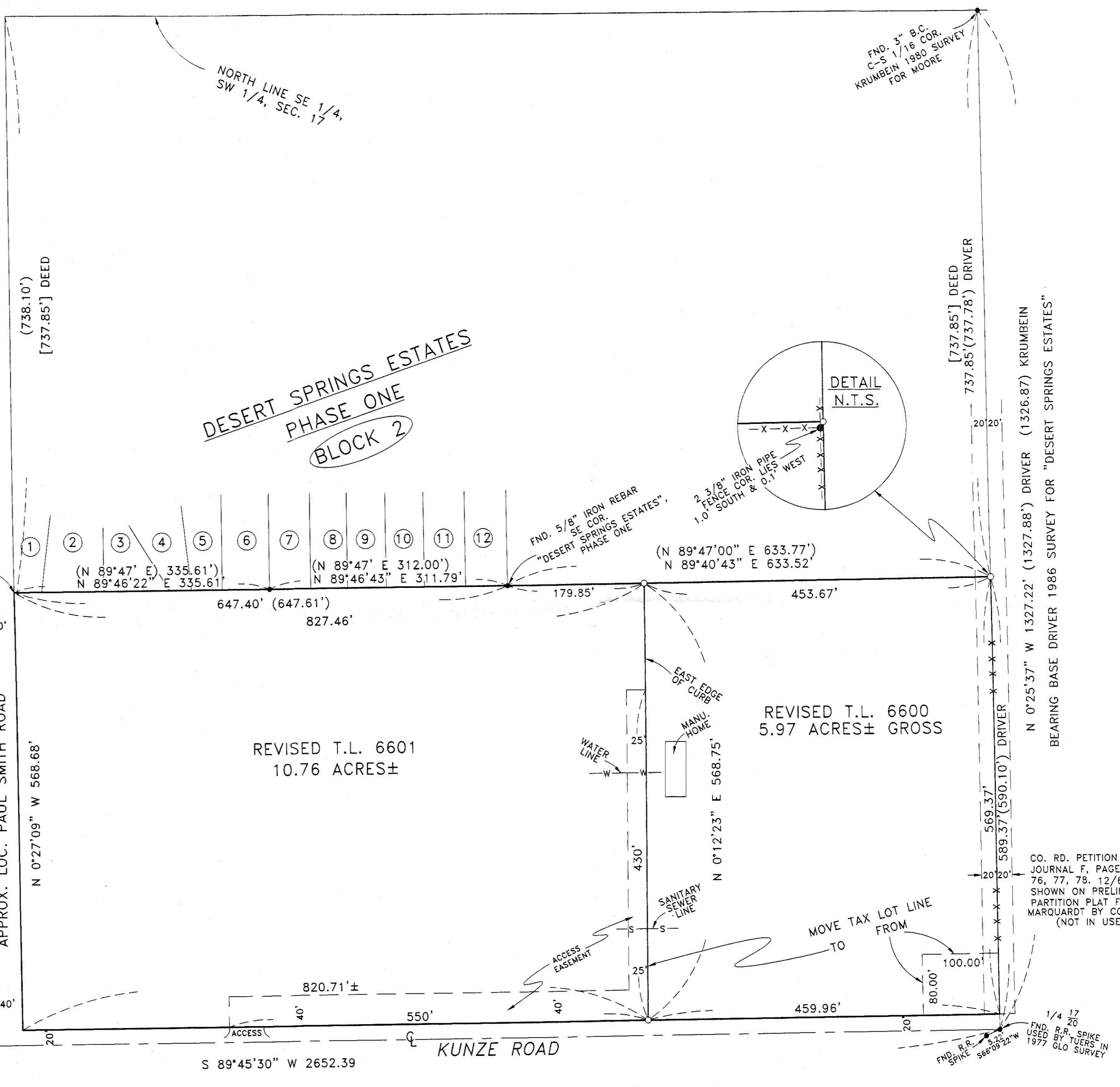
THE PURPOSE OF THIS SURVEY IS TO DO A BOUNDARY LINE ADJUSTMENT BETWEEN TWO TAX LOTS TO MAKE THE LINE BETWEEN THEM COINCIDENTAL WITH A CURB LINE.

THESE TWO TAX LOTS ARE DESCRIBED IN A DEED TO ROGERS PROPERTIES, LLC. RECORDED ON M-2000-983 MORROW COUNTY DEED RECORDS.

I BASED THE BEARINGS AND THIS SURVEY ON ONE DONE IN 1986 BY IVAN DRIVER IN WHICH HE SET THE NORTH CORNERS OF THIS TRACT. THE DESCRIPTION OF THIS PARCEL DOES NOT MATCH THE DESCRIPTION OF "DESERT SPRINGS ESTATES PHASE 1" AS DRIVER SURVEYED IT AND DESCRIBED IT ON THE PLAT. DRIVER'S MONUMENTS DO NOT MATCH HIS SURVEY. I HELD HIS MONUMENTS WHICH I FOUND ON THE SOUTH LINE OF HIS PLAT OF "DESERT SPRINGS" AND SET A NEW MONUMENT AT THE NORTHEAST CORNER OF THIS TRACT AT THE DEED LOCATION. THAT PUT AN ANGLE POINT IN THE NORTH LINE OF THIS TRACT WHICH IS NOT THE WAY THAT DRIVER SURVEYED IT IN 1986.

I USED TUERS' RR SPIKE FOR THE SOUTH QUARTER CORNER OF SECTION 17 BECAUSE SO MANY SURVEYORS HAVE USED IT SINCE THEN. I DID NOT USE TUERS' RR SPIKE FOR THE SOUTHWEST CORNER OF SECTION 17 BECAUSE I FOUND AN OLD IRON ROD WHICH FIT IMPROVEMENTS MUCH BETTER. THE RR SPIKE WHICH LIES SW OF THE QUARTER CORNER WOULD ALSO BE A BETTER FIT BUT LIKE I SAID, TOO MANY SURVEYS HAVE BEEN DONE USING TUERS' CORNER.

**DESERT SPRINGS ESTATES
PHASE ONE
BLOCK 2**



REGISTERED PROFESSIONAL LAND SURVEYOR
G. Dennis Edwards
OREGON
JULY 16, 1971
G. DENNIS EDWARDS
9 5 1
RENEWS 12/31/2001

LOC. 5/8" IRON REBAR SET BY ME IN 1993 SURVEY FOR DOCKEN
R.R. SPIKE USED BY TUERS IN 1977 GLO SURVEY DID NOT USE
S 44°33'19" W 28.33'
18/17
19/20
N 10°43' 71°38'45" E

- LEGEND:**
- SET 5/8" IRON REBAR WITH PLASTIC CAP #951
 - 5/8" IRON REBAR FOUND UNLESS NOTED OTHERWISE
 - (000) OF RECORD DRIVER 1986 SURVEY FOR "DESERT SPRINGS", OR KRUMBEIN 1980 SURVEY FOR MOORE

RECEIVED BY
Morrow County Surveyor
Date 01/31/01
Rec'd By RJA
No. A-1292-11
FOLDER 1292

SURVEY FOR DON ROGERS
IN SW 1/4, SEC. 17, T 4 N, R 25 E, W.M.,
MORROW COUNTY, OREGON
12/27/2000 JOB# S0012230
EDWARDS SURVEYING P.O. BOX 763
541-567-3336 HERMISTON, OREGON 97838
DRAWN BY NJF

CO. RD. PETITION #12
JOURNAL F, PAGES 68,
76, 77, 78. 12/6/1917
SHOWN ON PRELIMINARY
PARTITION PLAT FOR
MARQUARDT BY COPPOCK
(NOT IN USE)

1/4 17 20
FND. R.R. SPIKE USED BY TUERS IN 1977 GLO SURVEY
FND. R.R. SPIKE 566°09'22" W