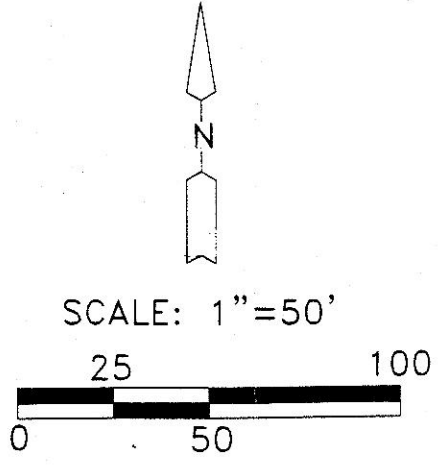


NARRATIVE:

THE PURPOSE OF THIS SURVEY IS TO SHOW THE MONUMENTS WHICH WERE SET FOR "BLOOMIN' DESERT PHASE TWO" WHICH WAS STARTED BUT NEVER FINISHED. THE BEARINGS AND THIS SURVEY ARE BASED ON THE PLAT OF "BLOOMIN' DESERT PHASE ONE" WHICH WAS SURVEYED BY ME IN 1996. THE REASON THE NORTH CORNERS ARE OFFSET TWO FEET IS BECAUSE THERE IS A CHAIN LINK FENCE SOUTH OF THE LINE AND OTHER FENCES NORTH OF THE LINE.

SEVENTH DAY ADVENTIST CHURCH
M-38834



REGISTERED
PROFESSIONAL
LAND SURVEYOR

G. Dennis Edwards

OREGON
JULY 16, 1971
G. DENNIS EDWARDS
9 5 1
RENEWS 12/31/2001

RECEIVED BY
Morrow County Surveyor:
Date 12/2000
Rec'd By DE
No. B-1284-E (1057)

- LEGEND:**
- FOUND 5/8" IRON REBAR, MY PLAT OF "BLOOMIN' DESERT, PHASE ONE", 1996 UNLESS OTHERWISE NOTED.
 - SET 5/8" IRON REBAR WITH PLASTIC CAP #951
 - SET WOOD HUBS
 - (000) OF RECORD, PLAT OF TOWN OF IRRIGON

SURVEY FOR STAHL
IN SE 1/4, SECTION 24, T 5 N , R 26 E,
CITY OF IRRIGON, W.M., MORROW COUNTY, OREGON
12/20/2000 JOB# S9111054C
EDWARDS SURVEYING P.O. BOX 763
541-567-3336 HERMISTON, OREGON 97838
DRAWN BY NJF

	ARC LENGTH	CHORD LENGTH	CHORD BEARING	RADIUS
A	23.56'	21.21'	N 45°22'56" W	15.00'
B	23.56'	21.21'	N 44°37'03" E	15.00'